



CHT2 Series

PARTS

BOOK

Version:03000V3

THINK BEYOND

contents

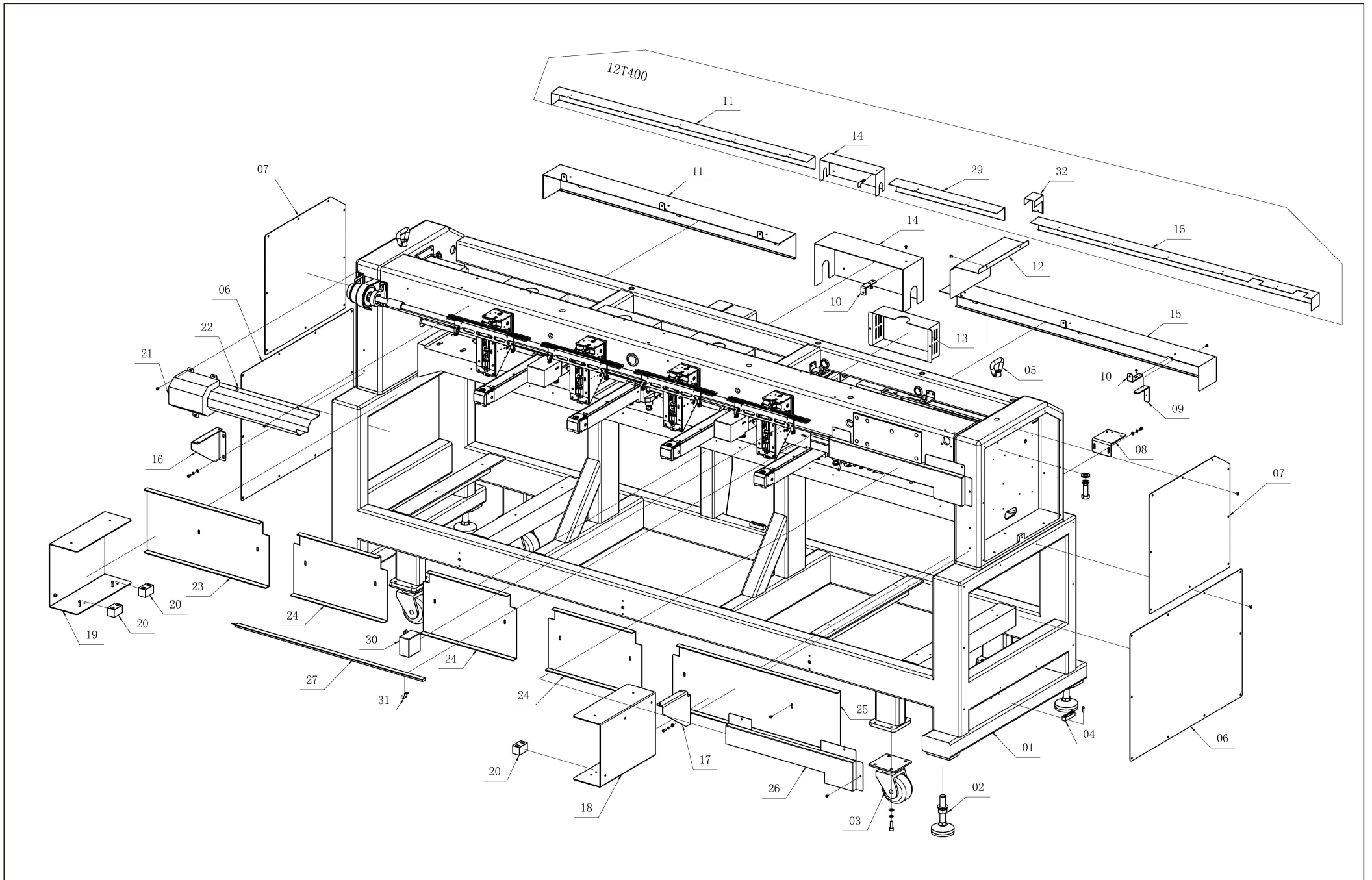
01	•	10. MACHINE FRAME -----	01
02	•	15. TABLE -----	03
03	•	20.MAIN AXIS -----	05
04	•	25.LOWER SHAFT ARM -----	07
05	•	30.10.SOLENOID JUMPING♦ -----	09
06	•	30.20. MOTOR JUMPING♦ -----	11
07	•	35.NEEDLE BAR CASE -----	13
08	•	40.COLOR CHANGE (AC MOTOR) -----	15
09	•	45.THREAD TRIMMING (4&6T) -----	17
10	•	45.THREAD TRIMMING (8&12T) -----	19
11	•	50.THREAD-HOOK -----	21
12	•	55.10. X&Y DRIVE BASE -----	23
13	•	55.20. X&Y STEPPING MOTOR♦ -----	25
14	•	55.30. X&Y SERVO MOTOR♦ -----	27
15	•	55.40.X&Y DRIVE BEAM -----	29
16	•	60.10. FLAT EMBROIDERY FRAME -----	31
17	•	60.20. HOOPS -----	33
18	•	60.30. CAP ATTACHMENT -----	35
19	•	65. THREAD TRAY AND STAND -----	37
20	•	70.10 WHEEL-ONLY THREAD TENSION BASE♦ -----	39
21	•	70.20 WHEEL+SPRING THREAD TENSION BASE♦ -----	41
22	•	75. ELECTRONIC COMPONENTS -----	43

INDEX

This Parts Book corresponds to all models of the CHT2 series. There are many models in CHT2 series. If "*" is included in the part code, it means that the spare part depends on machine model. When the name is marked with "◆", it means that the spare part is optional and can be selected according to customers' requirements. When the name is marked with "★", we listed out all the possible parts and the correct part depends on machine model.

10. MACHINE FRAME

03010V3



10. MACHINE FRAME

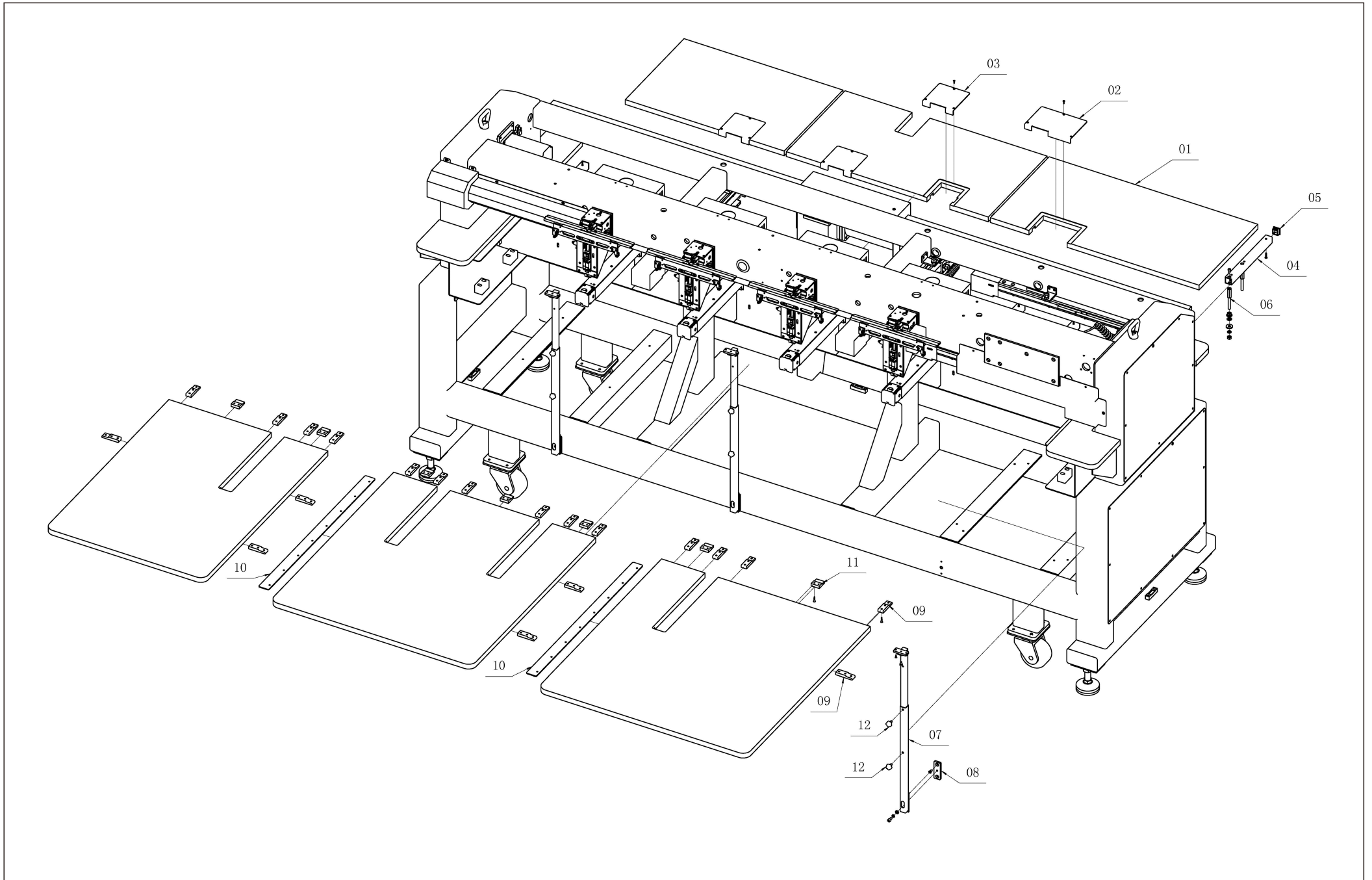
20100V2

No.	Serial No.	Part name	Q'TY
01	20010****	Frame	1
02	80270920	Adjustable Foot Cup-Non-Slip Rubber-D80-M20X100	4
03	80270201	Movable Truckle-4 Series-Flat Bottom Type	4
04	2010040000	Water Leveler	3
05	809201**	Triangle Ring Gb63	2
06	2010060000	Lateral Rack Cover Plate	2
07	201007****	Side Box Cover	2
08	2010080000	Table Bracket	2
09	2010090000	Bracket-Y-B	N
10	2010100000	Bracket-Y-A	N
11	201011****	Driver Baffle-Y-R	1
12	201012****	Motor Block Plate -X	1
13	2010130000	Head Board Cover	N
14	201014****	Motor Baffle-Y	1
15	201015****	Driver Baffle-Y-L	1
16	02730151	Table Rear Cover-L	1

No.	Serial No.	Part name	Q'TY
17	02730152	Table Rear Cover-R	1
18	2010180001	Right Side Cover-H240	1
19	2010190001	Left Side Cover-H240	1
20	2010200000	Table Position Block	4
21	2010210000	Belt Wheel Cover	1
22	201022****	Upper Shaft Cover	1
23	201023****	Rotary Hook Block Plate -L-H240	1
24	201024****	Rotary Hook Block Plate -M-H240	N
25	201025****	Rotary Hook Block Plate -R-H240	1
26	2010260450	Driver Block Plate -X-450 ♦	1
26	2010260012	Driver Block Plate -X-12T400 ♦	1
27	201027****	Light Bar	N
29	201029****	Driver Cover-Y-Middle	1
30	2010300000	Shaft End Cover	1
31	2010310000	Light Bar Rack	N
32	2010290080	Driver Cover-Y-Back-12T400	1

15. TABLE

20150V2



15. TABLE

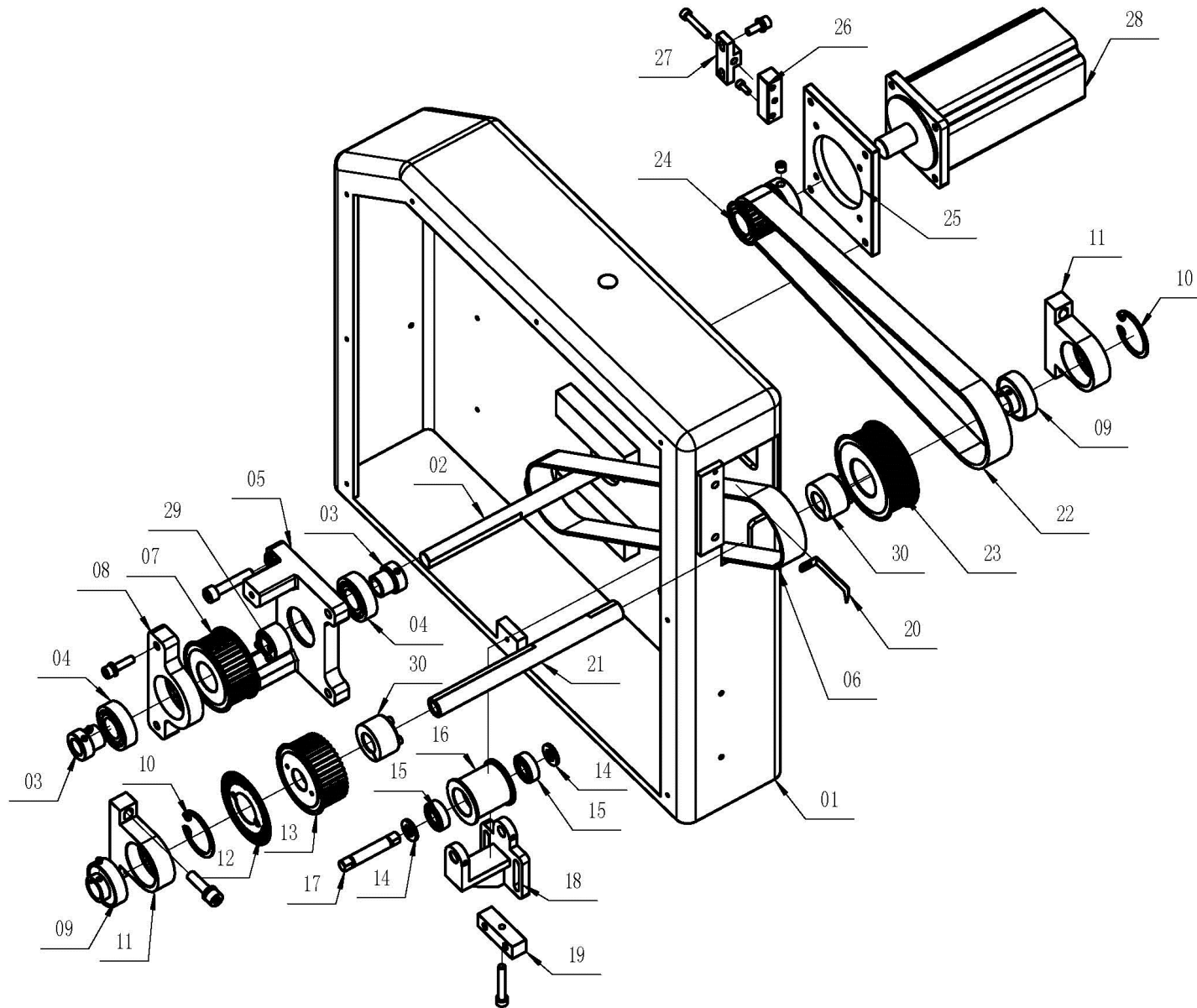
20150V2

No.	Serial No.	Part name	Q'TY
01	20020*****	Table Set-CHT2	1
02	02701002	Back Cover Of Lower Shaft Arm-Encoder	1
03	02701003BA	Back Cover Of Lower Shaft Arm	N
04	2015040000	Table Support	N
05	01540232	Table Support Joint 21*21 ◆	N
05	01540232V1	Table Support Joint 21*21-RCM ◆	N
06	80920401BA	Table Support Bolt-M8*35	N

No.	Serial No.	Part name	Q'TY
07	02730383	Table Support Assembly-H240	N
08	02730301	Rack Support Base	N
09	02730202	Table Lower Block	N
10	02730203	Connecting Plate-Front	N
11	02730201	Plastic Clamp Block	N
12	2015120000	Screw-M5	N

20. MAIN AXIS

20200V2



20. MAIN AXIS

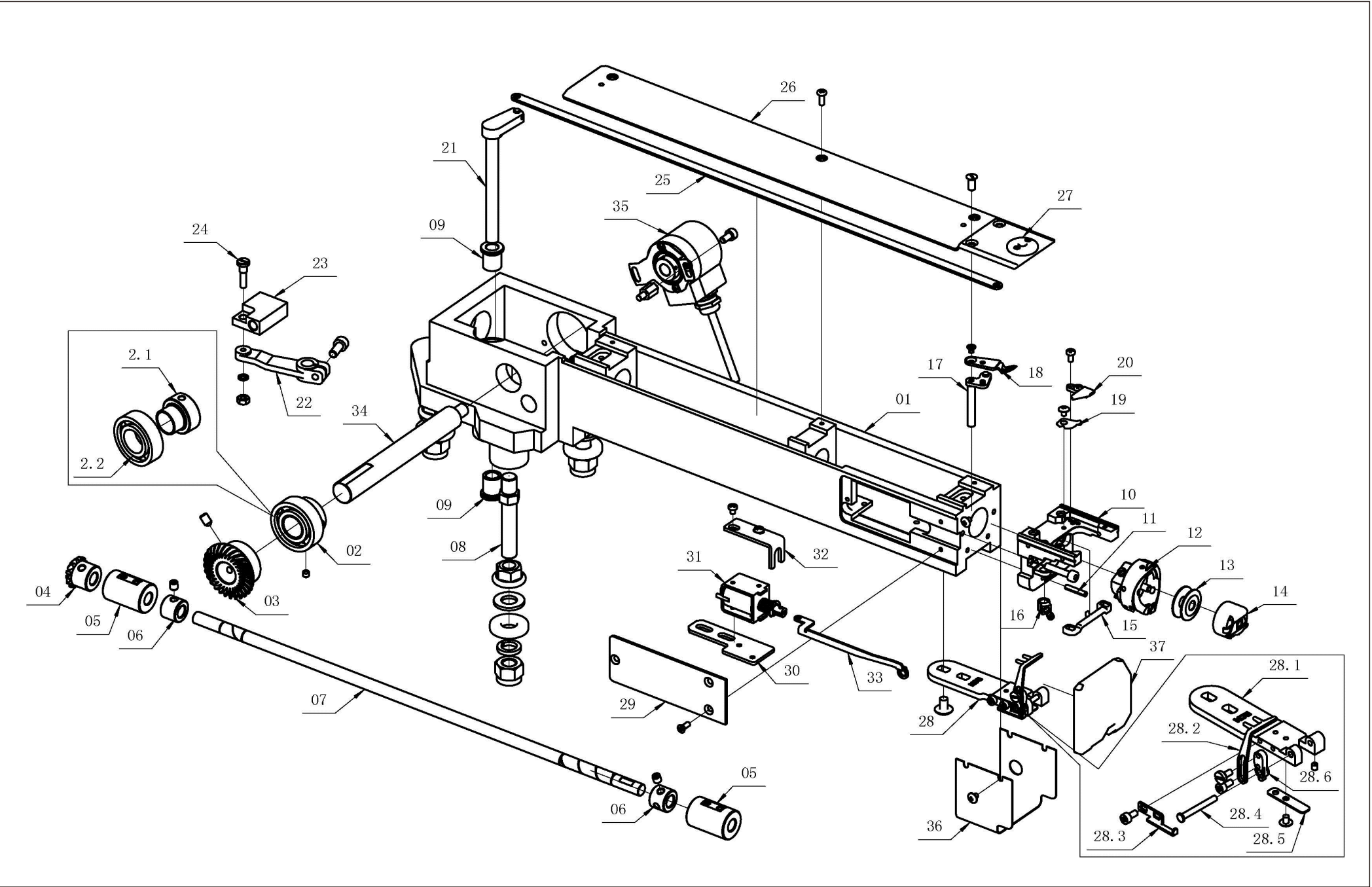
20200V2

No.	Serial No.	Part name	Q'TY
01	20010****	Frame Left Side Box	1
02	202002****	Encoder Shaft -15	N
03	80031502	Bearing Collar-15-20	2
04	80032022	Deep Groove Ball Bearing-6004	2
05	2020050000	Lower Shaft Wheel Base	1
06	2020060950	Belt-Upper Shaft And Lower Shaft-HTD5M-25-950	1
07	2020070000	Lower Shaft Wheel-40T	1
08	2020080000	Lower Shaft Bearing Base-6004	1
09	2020096004	Bearing 6004 - 18 - 42	2
10	80034281	Inside Clamp Spring-42	2
11	02311111	Bearing Seat-42-Height45	2
12	3011200130	Dial-MT	1
13	2020130000	Upper Shaft Wheel - 40T	1
14	80901002	Flat Washer M10	2
15	80031022	Deep Groove Ball Bearing 26-10-8	2
16	02313110	Tension Pulley 36-W	1
17	2020170000	Tension Pulley Shaft - Upper And Lower Transmission	1

No.	Serial No.	Part name	Q'TY
18	2020180000	Tensioner Pulley Base	1
19	2020190000	Belt Tension Adjusting Block	1
20	2020200000	Dial Needle	1
21	202021****	Upper Shaft -18	1
22	2020220800	Main Motor Belt - HTD5M-25-800	1
23	2020230000	Main Shaft Wheel - 48T	1
24	80025264	Belt Wheel 24-5M-40-19 ♦	1
24	2020242200	Main Motor Belt Wheel-24T-35-22 ♦	1
25	02310180	Main Motor Mounting Plate-80 ♦	1
25	4003080000	Main Motor Mounting Plate-130 ♦	1
26	2020260000	Adjusting Base Block	1
27	2020270000	Main Motor Belt Adjusting Block	1
28	80311301BA	Servo Motor-750W ★	1
28	80311302	Servo Motor-1KW ★	1
28	80311303	Servo Motor 1.5KW ★	1
29	80031544	Clamping Sleeve -ZA-15*28	1
30	80031844	Clamping Sleeve -ZA-18*35	2

25. LOWER SHAFT ARM

20250V2



25. LOWER SHAFT ARM

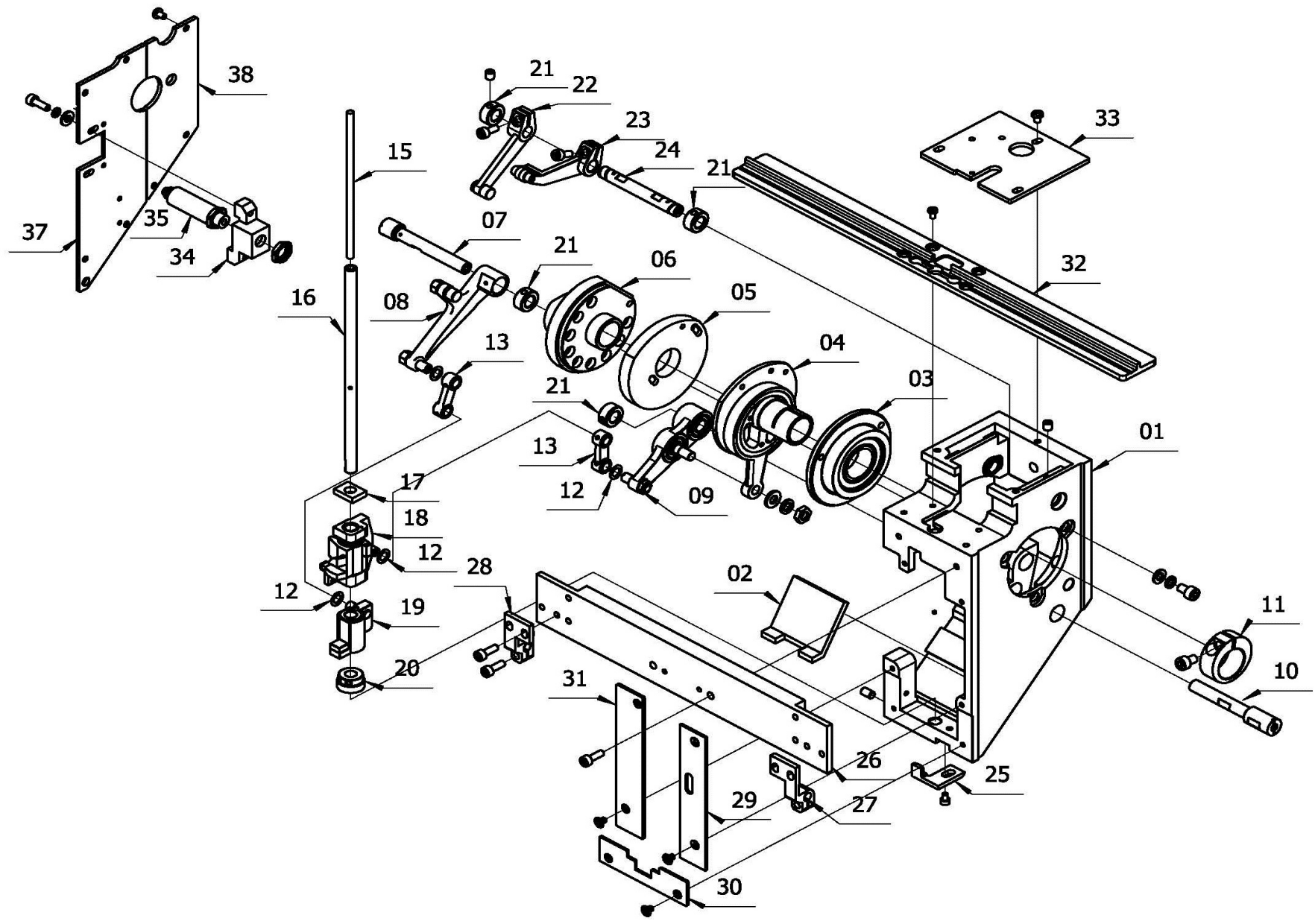
20250V2

No.	Serial No.	Part name	Q'TY
01	02010601	Small Lower Shaft Arm -SY	1
2.1	80031501	Bearing Case Φ 15-17	1
2.2	80031722	35-17-10 Bearing	1
03	01030131	Large Shaft Gear	1
04	01030132	Small Shaft Gear	1
05	02101131	Lower Shaft Arm Shaft Sleeve	2
06	02101121	Shaft Block Ring	2
07	02101111	Rotary Shaft-CT	1
08	80920402	Lower Shaft Arm Installation Bolt M10	3
09	80030803	Sleeve-8-12	2
10	02101601	Needle Plate Base-SR-C	1
11	80685135	Cylinder Pin	2
12	80620291	Rotary Hook-KHS12-RYP	1
13	80620302	Bobbin	1
14	80620301	Bobbin Case	1
15	03021322	Rotary Position Hook	1
16	03021232	Movable Knife Driving Rod Chuck	1
17	02010667	Movable Knife Driving Rod Component-SY	1
18	02101231	Movable Knife	1
19	02101233	Fixed Knife Shrapnel	1
20	02101232	Fixed Knife	1
21	03021280	Trimming Drive Bar Set	1
22	03021211	Turning Link Rod For Thread Trimming	1

No.	Serial No.	Part name	Q'TY
23	01400109	Actuating Arm Connection Chuck	1
24	80924212	Shaft Shoulder Screw M4*13-5*5.5	1
25	02101237	Trimming Rod	1
26	02010602	Front Upper Cover Plate	1
27	02101611	Needle Plate-SR-C	1
28	02101661	Picker Assembly-SR-C	1
28.1	02101631	Picker Mounting Base-SR-C	1
28.2	02010624	Picker-SY	1
28.3	02010642VA	Limit Plate Of Picker-SR-C	1
28.4	02101634	Picker Shaft-SR-C	1
28.5	02101632	Shrapnel-Picker-SR-C	1
28.6	02101633VA	Positioning Block-Picker-SR-C	1
29	02010621	Picker Side Cover Plate - SY	1
30	02010622	Picker Solenoid Base-SY	1
31	80320204	Picker Solenoid-DC24V	1
32	02010619	Picker Solenoid Limit Plate-SY	1
33	02101635	Picker Connecting Rod-SR-C	1
34	2020020660	Encoder Shaft -15-T400-660 \blacklozenge	1
34	2020020740	Encoder Shaft -15-T500-740 \blacklozenge	1
35	80330101	Photoelectric Encoder	1
36	02101621	Needle Plate Cover-SR-C	1
37	02101622	Front Cover-SR-C	1

30.10. SOLENOID JUMPING ◆

20301V2



30.10. SOLENOID JUMPING◆

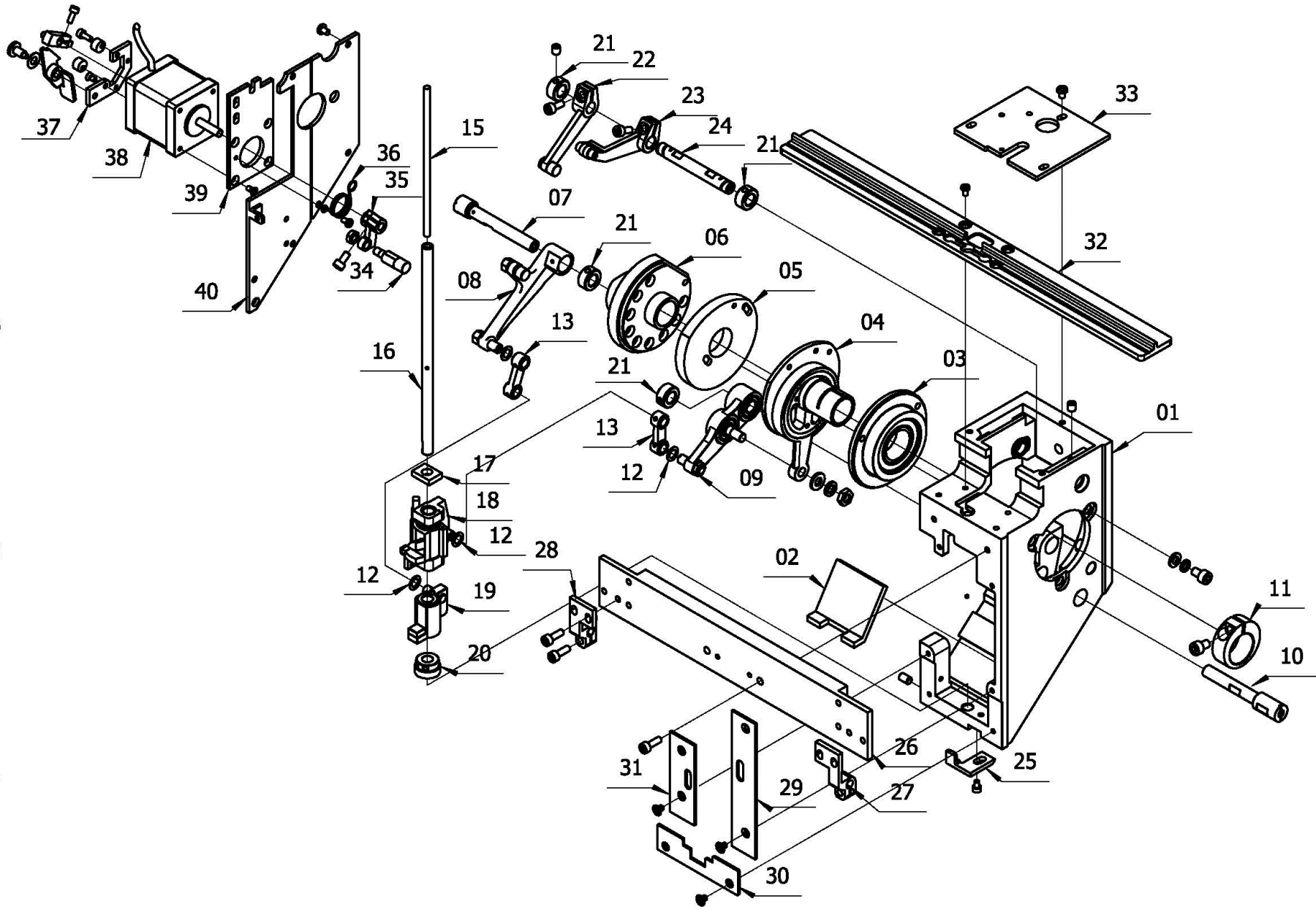
20301V2

No.	Serial No.	Part name	Q'TY
01	01210101DX	High Speed Head Box	1
02	2030100200	Cotton Pad	1
03	4005030600	Bearing Base-18 Shaft	1
04	01212463	Large Connecting Rod–Single Cam–18 Shaft	1
05	4005050200	Take-Up Nylon Cam-18 Shaft	1
06	01212271	Presser Foot Cam + AI Ring + AI Base	1
07	01212123	Presser Foot Driver Pin Shaft- Double Cam	1
08	01212262	Presser Foot Rod-Double Cam	1
09	01212161DX	Three-Eye Connecting Rod Assembly - High Speed	1
10	01212305	Three-Eye Rod Pin-Double Cam	1
11	01212401	Cam Clamping Sleeve 18 shaft	1
12	80900604	Flat Washer - M6 - (0.2)	6
13	01212109	Connecting Rod-High Speed Head	2
15	01212316	Oil Core-High Speed Head	1
16	01212306	Head Driving Shaft- High Speed Head	1
17	01212310	Felt Pad-High Speed Head	1
18	01212073	Needle Bar Reciprocator-H-S-DY	1
19	01212260DX	Presser Foot Driving Block Assembly-DX	1
20	01202291	Collapsible Set	1
21	01202204	Baffle	4
22	01212163DX	Take-Up Connecting Rod Assembly A	1

No.	Serial No.	Part name	Q'TY
23	01212165DX	Take-Up Connecting Rod Assembly B	1
24	01212307DX	Take-Up Lever Pin (Φ8X65)	1
25	01210121	Positioning Hook Of Needle Bar Case	1
26	80013121	Bead Frame Guide Rail–12 Needles (-251/205)◆	1
26	80013122	Bead Frame Guide Rail–15 Needles (-303/250)◆	1
27	01213130	Color Changing Support Chuck – R – High Speed Head	1
28	01213131	Color Changing Support Chuck – L – High Speed Head	1
29	01211008DX	Front Right Cover Plate - High Speed Head	1
30	01211011	Front Lower Cover Plate - High Speed Head	1
31	01211007DX	Front Left Cover Plate - High Speed Head	1
32	4005221200	Take-Up Lever Guide Rail-12 ◆	1
32	4005221500	Take-Up Lever Guide Rail-15 ◆	1
33	4005230000	Upper Head Cover-C	1
34	01212502	Jumping Solenoid Base – High Speed	1
35	80320201	Jumping Solenoid	1
37	01211010	High-Speed Head Plate B - Solenoid	1
38	01211009	High-Speed Head Plate A	1

30.20 MOTOR JUMPING

20302V2



30.20 MOTOR JUMPING

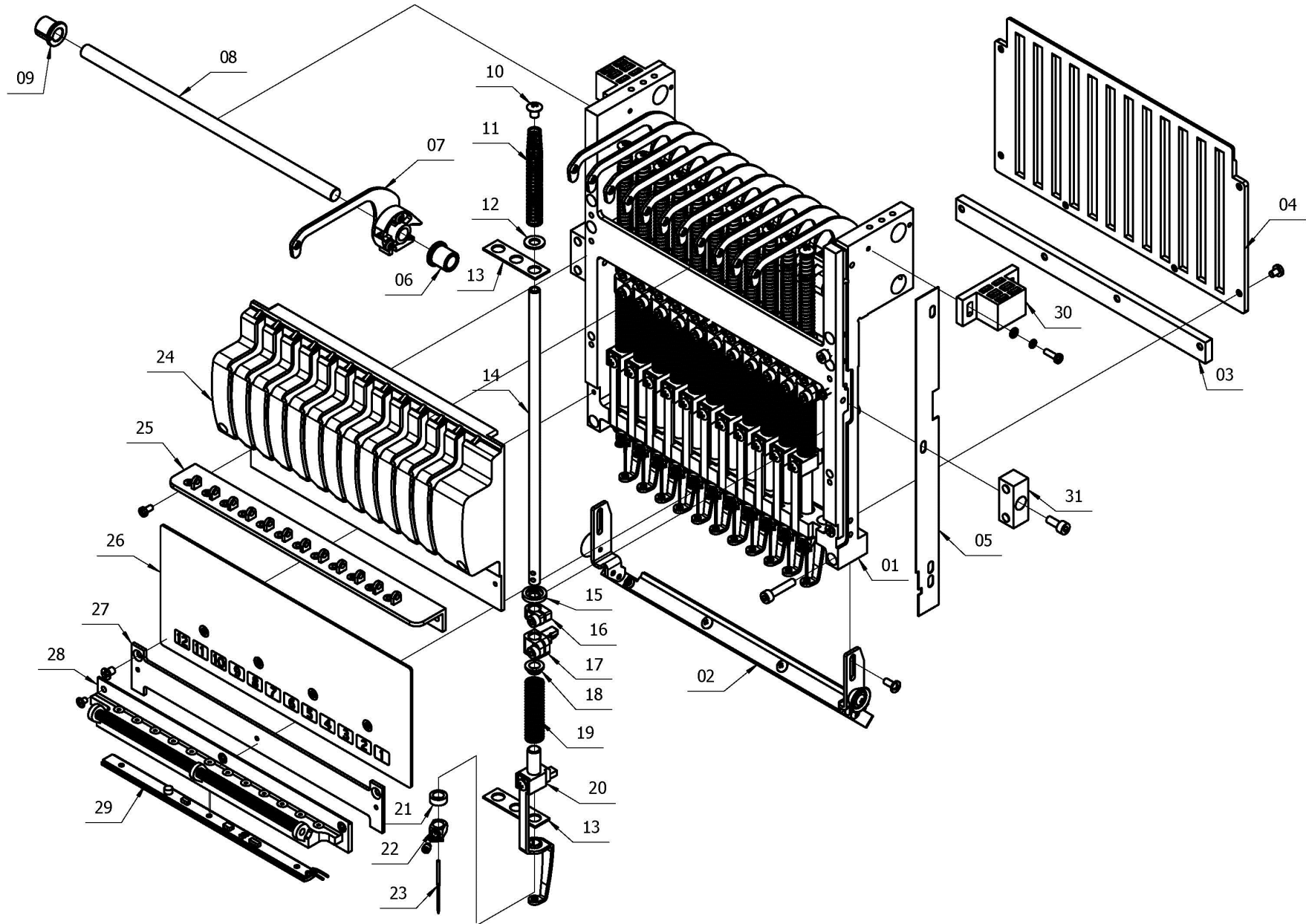
20302V2

No.	Serial No.	Part name	Q'TY
01	01210101DX	High Speed Head Box	1
02	2030100200	Cotton Pad	1
03	4005030600	Bearing Base-18 Shaft	1
04	01212463	Large Connecting Rod–Single Cam–18 Shaft	1
05	4005050200	Take-Up Nylon Cam-18 Shaft	1
06	01212271	Presser Foot Cam + AI Ring + AI Base	1
07	01212123	Presser Foot Driver Pin Shaft- Double Cam	1
08	01212262	Presser Foot Rod-Double Cam	1
09	01212161DX	Three-Eye Connecting Rod Assembly - High Speed	1
10	01212305	Three-Eye Rod Pin-Double Cam	1
11	01212401	Cam Clamping Sleeve 18 shaft	1
12	80900604	Flat Washer - M6 - (0.2)	6
13	01212109	Connecting Rod-High Speed Head	2
15	01212316	Oil Core-High Speed Head	1
16	01212306	Head Driving Shaft- High Speed Head	1
17	01212310	Felt Pad-High Speed Head	1
18	01212063	Needle Bar Reciprocator-H-S-DY	1
19	01212260DX	Presser Foot Driving Block Assembly-DX	1
20	01202291	Collapsible Set	1
21	01202204	Baffle	4
22	01212163DX	Take-Up Connecting Rod Assembly A	1

No.	Serial No.	Part name	Q'TY
23	01212165DX	Take-Up Connecting Rod Assembly B	1
24	01212307DX	Take-Up Lever Pin (Φ8X65)	1
25	01210121	Positioning Hook Of Needle Bar Case	1
26	80013121	Bead Frame Guide Rail–12 Needles (-251/205) ◆	1
26	80013122	Bead Frame Guide Rail–15 Needles (-303/250) ◆	1
27	01213130	Color Changing Support Chuck – R – High Speed Head	1
28	01213131	Color Changing Support Chuck – L – High Speed Head	1
29	01211008DX	Front Right Cover Plate - High Speed Head	1
30	01211011	Front Lower Cover Plate - High Speed Head	1
31	4005240200	Front Left Cover Plate - High Speed Head	1
32	4005221200	Take-Up Lever Guide Rail-12 ◆	1
32	4005221500	Take-Up Lever Guide Rail-15 ◆	1
33	4005230000	Upper Head Cover-C	1
34	4005330204VA	Jumping Post	1
35	4005330203	Jumping Drive Arm Set	1
36	4005330205	Reset Spring	1
37	4005330210	Manual Lock Assembly	1
38	80304216	Jumping Motor-42D48C1206E	1
39	4005330202	Motor Mounting Plate	1
40	4005320200VA	High-Speed Head Board A - Motor	1

35. NEEDLE BAR CASE

20350V2



35. NEEDLE BAR CASE

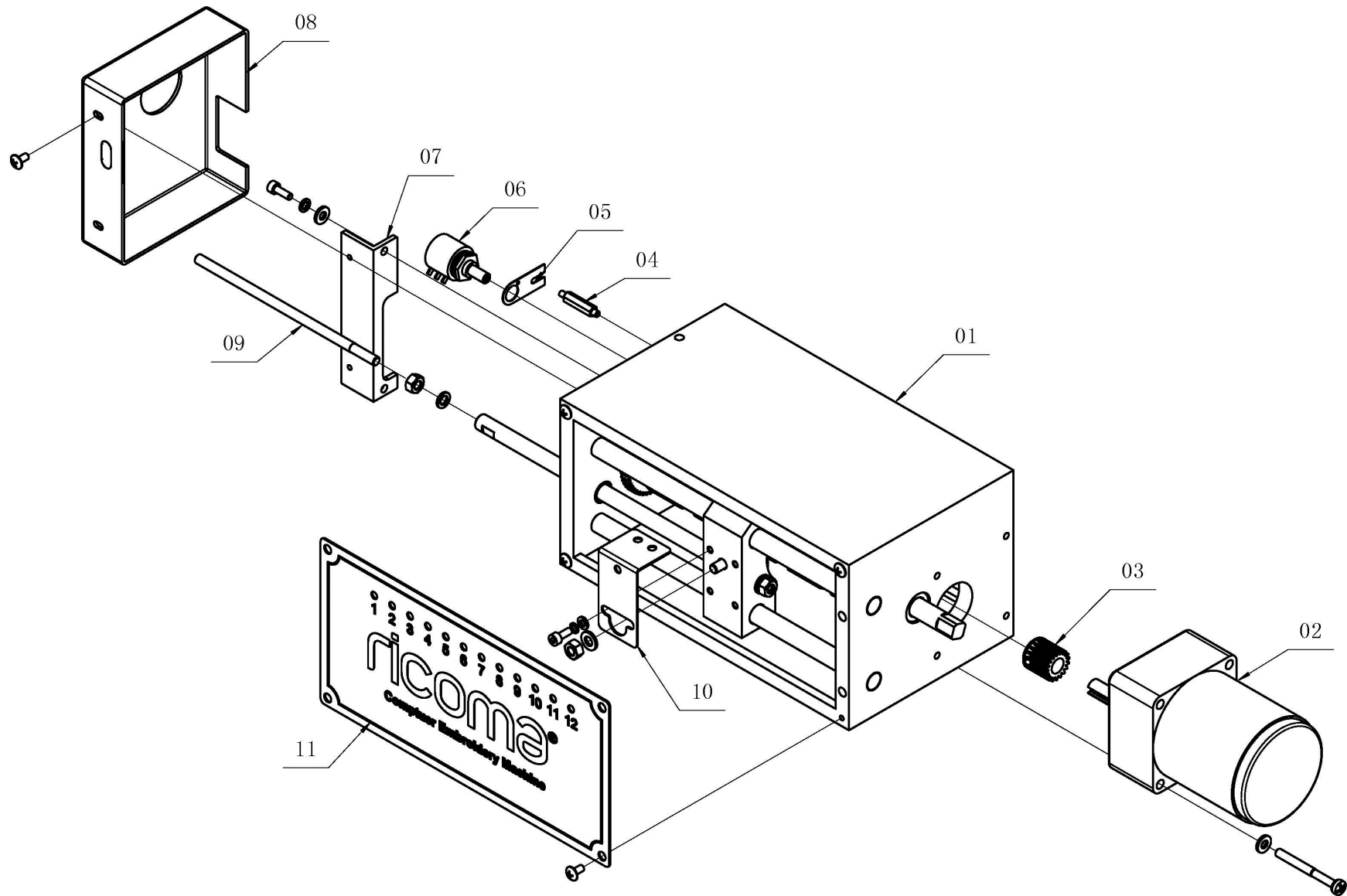
20350V2

No.	Serial No.	Part name	Q'TY
01	4006011200	Needle Bar Case-12 ♦	1
01	4006011500	Needle Bar Case-15 ♦	1
02	72100190-12	Thread Clamp Finished Product-RD-12 ♦	1
02	72100190-15	Thread Clamp Finished Product-RD-15 ♦	1
03	01213115	Lower Guide Rail-12-High Speed ♦	1
03	01213116	Lower Guide Rail-15-High Speed ♦	1
04	03081301	Needle Bar Guide Plate-12 ♦	1
04	03081311	Needle Bar Guide Plate-15 ♦	1
05	03090722	MT Side Plate-LED-2T	1
06	03081506	Take-Up Shaft Block-12	1
07	72013110	Take-Up Lever	N
08	01221532	Take-Up Shaft - 12 ♦	1
08	01221533	Take-Up Shaft - 15 ♦	1
09	03081505	Take-Up Shaft Block-15	1
10	01222102	Needle Bar Screw	N
11	03080102	Needle Bar Spring-P	N
12	80900603	Flat Washer - M6	N
13	01221606	3-Hole Felt-1	N
14	03080195	Needle Bar-Screw Assembled-High Speed	1
15	4006200000	O-Type Presser Foot Ring	N
16	01222105	Upper Dead Point Clamp	N
17	01222106	Needle Bar Connecting Pin	N
18	4006340000	Presser Foot Spring Sleeve	N

No.	Serial No.	Part name	Q'TY
19	4006230101	Presser Foot Spring	N
20	4006260200	Presser Foot With Sleeve-High Speed-93	N
21	01222110	Rubber Cushion	N
22	01222194	Needle Clamp	N
23	80621111	Needle-DBXK5-11	N
24	72011212-RH	Upper Arc-Shape Plate-12 Needles-Dark Grey ♦	1
24	72011215-RH	Upper Arc-Shape Plate-15 Needles-Dark Grey ♦	1
25	72012161-12	Middle Take Up Thread Guide-12 ♦	1
25	72012161-15	Middle Take Up Thread Guide-15 ♦	1
25	72211112	Take-Up Cover With T Middle Thread Course-12 ♦	1
25	72211115	Take-Up Cover With T Middle Thread Course-15 ♦	1
26	01221312	Logo Plate-LED-12 Needles-C/MT ♦	1
26	01221315	Logo Plate-LED-15 Needles-C/MT ♦	1
27	03090412	Mounting Base-Lower Thread Course-LED-12 ♦	1
27	03090415	Mounting Base-Lower Thread Course-LED-15 ♦	1
28	03096012	Lower Thread Course Component-LED-12 ♦	1
28	03096015	Lower Thread Course Component-LED-15 ♦	1
29	03090612	Light Board-LED-12-MT\CT ♦	1
29	03090615	Light Board-LED-15-MT\CT ♦	1
30	01227104	Door Stopper	2
31	01227103	Magnetic Block-AI	2

40. COLOR CHANGE (AC MOTOR)

20400V2



40. COLOR CHANGE (AC MOTOR)

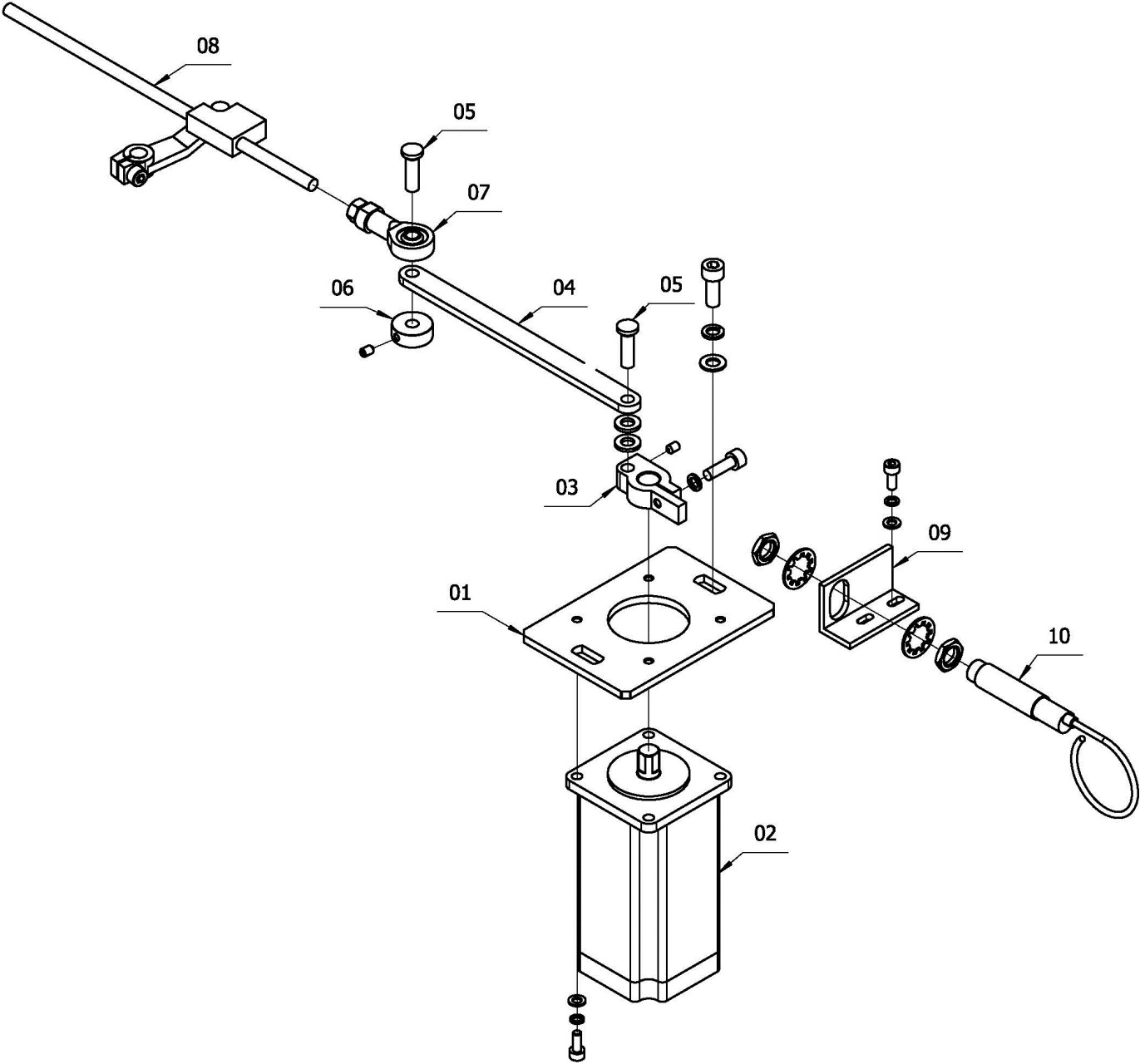
20400V2

No.	Serial No.	Part name	Q'TY
01	01291292	Color-Change Box-12N◆	1
01	01291292-15	Color-Change Box-15N◆	1
02	80320101	Motor-YN70-15W-G10	1
03	01290902	Motor Driving Gear-18T	1
04	03040509	Potentiometer Fixed Bolt	1
05	03040510	Potentiometer Support Plate	1
06	80333702VA	Potentiometer 7286	1

No.	Serial No.	Part name	Q'TY
07	01291208	End Cover Support	1
08	80211002	Color-Change Box End Cover	1
09	80030601	Pull Rod-2000	N
10	01290912	Color-Change Indicator Bracket	1
11	01291270	Color-Change Box Plate -12 Needles◆	1
11	01291270-15	Color-Change Box Plate -15 Needles◆	1

45. THREAD TRIMMING (4&6T)

20450V2



45. THREAD TRIMMING (4&6T)

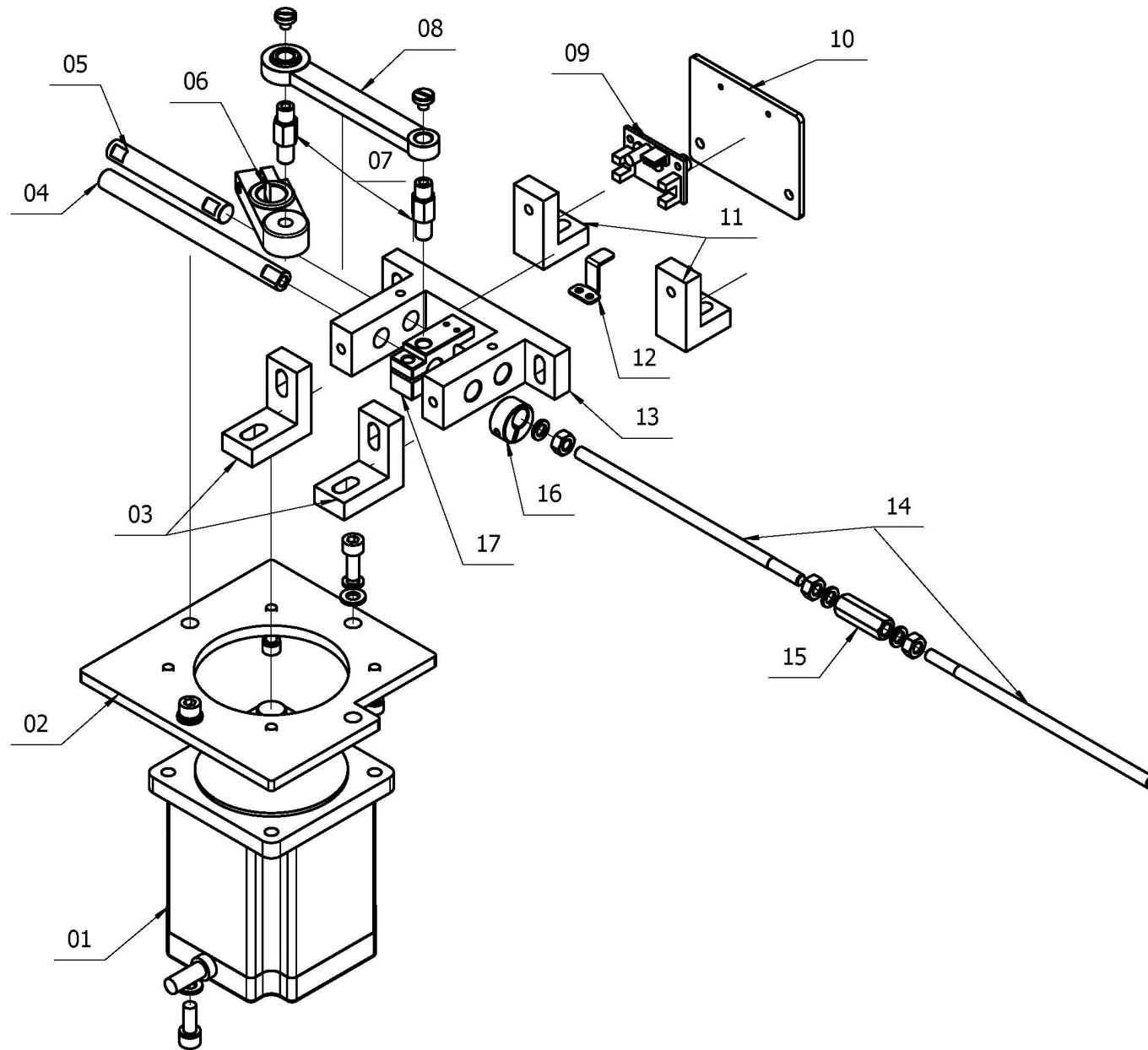
20450V2

No.	Serial No.	Part name	Q'TY
01	01400121	Trimming Motor Base - 57	1
02	80305760	Trimming Motor 57BYGH112S8-15	1
03	01400103	Thread Trimming Driving Arm	1
04	01400107	Thread Trimming Rod -130	1
05	01400102	Thread Trimming Driving Arm Pin-20	2

No.	Serial No.	Part name	Q'TY
06	01430509	Shaft Checking Ring-6	1
07	01400155	Oscillating Bearing	1
08	80030601	Pull Rod-2000	N
09	2050170100	Adjustable Bracket-Trimming Hooking	1
10	80333602	Cylinder Proximity Switch NPN	1

45. THREAD TRIMMING (8&12T)

20450V2



45. THREAD TRIMMING (8&12T)

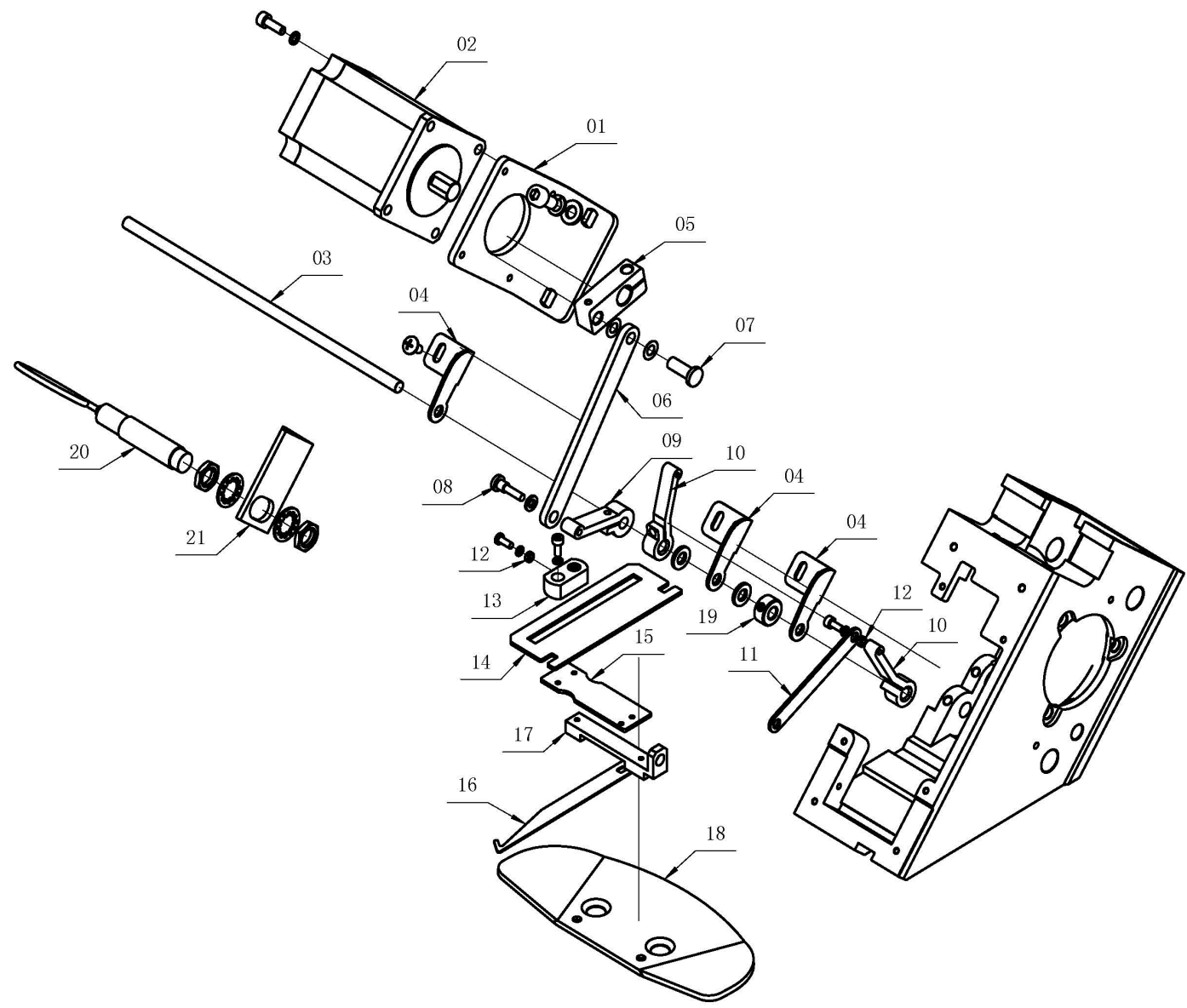
20450V2

No.	Serial No.	Part name	Q'TY
01	4008020202	Stepping Motor-86-14Shafts	1
02	2045090001	Trimming Motor Mounting Plate-86 Stepper	1
03	2045090013	Support Seat- 86 Stepper	2
04	2045090005	Trimming Driving Shaft-10-86 Stepper	1
05	2045090004	Guiding Shaft-10-86 Stepper	1
06	2045090006	Trimming Swing Rod - 86 Stepper	1
07	2045090003	Swing Arm Chapter-86 Stepper	2
08	2045090012	Trimming Driving Rod - 110 Trimming Box	1
09	8045140200	Trimming Position Detection PCBA	1

No.	Serial No.	Part name	Q'TY
10	2045090002	Position Inspection Mounting Plate-86 Stepper	1
11	2045090010	Adjusting Seat - 86 Stepper	2
12	2045090011	Light Blocking Plate - 86 Stepper	1
13	2045090009	Pull Rod Bearing Base - 86 Stepper	1
14	80030601	Pull Rod-2000	2
15	80030603	Pull Rod Joint-Φ6	1
16	2045090008	Trimming Limit Circle - 86 Stepper	1
17	2045090007	Trimming Driving Block - 86 Stepper	1

50. THREAD-HOOK

20500V2



50. THREAD-HOOK

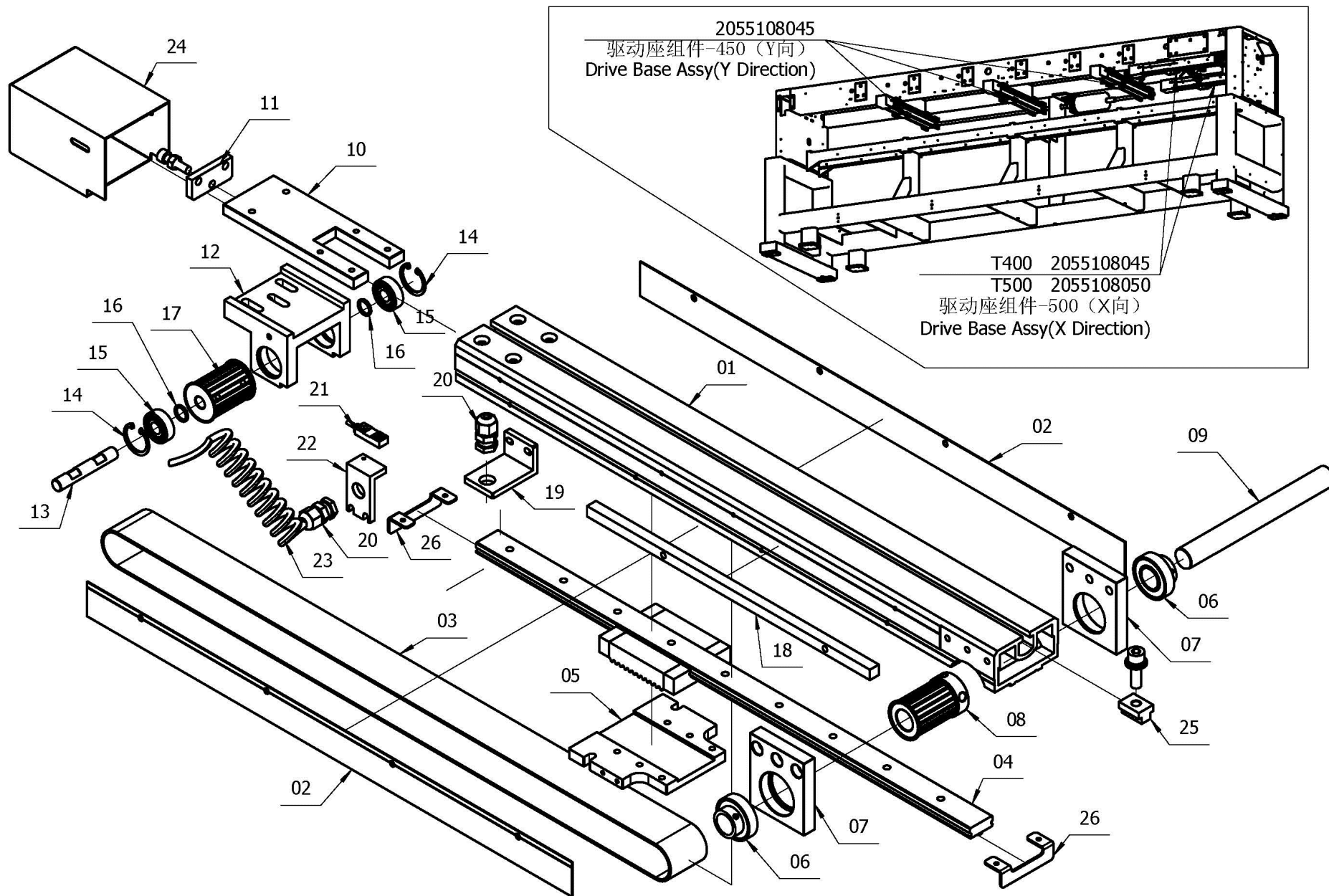
20500V2

No.	Serial No.	Part name	Q'TY
01	01430522	Thread Hooking Motor Mounting Base	1
02	80305761	Hooking Motor 57BYGH80D10-15	1
03	80030601	Pull Rod-2000	N
04	01430512	Bracket - Thread Hooking Shaft	N
05	01430525	Thread Hooking Driving Block	1
06	01430506	Hooking Motor Connecting Rod	1
07	01430504	Thread Hooking Driving Arm Pin - 16	1
08	80924212	Shaft Shoulder Screw M4*13-5*5.5	1
09	01430516	Actuating Arm Of Thread Hooking Shaft - Driven Shaft	1
10	01430521	Thread Hooking Driving Arm	N
11	01430633	Thread Hooking Connecting Rod	N

No.	Serial No.	Part name	Q'TY
12	01430528	Cylinder Sleeve - 3	2N
13	01430622	Thread Hooking Positioning Block	N
14	01430631	Thread Hooking Guide Plate	N
15	01430634	Thread Hooking Support	N
16	01430623	Thread Hook	N
17	2050170000	Hook Block Plate Bracket	N
18	03040151	Machine Head Lower Baffle	N
19	01430509	Shaft Checking Ring-6	1
20	80333602	Cylinder Proximity Switch NPN	1
21	2050170100	Adjustable Bracket-Trimming Hooking	1

55.10 X&Y DRIVE BASE

20551V2



55.10 X&Y DRIVE BASE

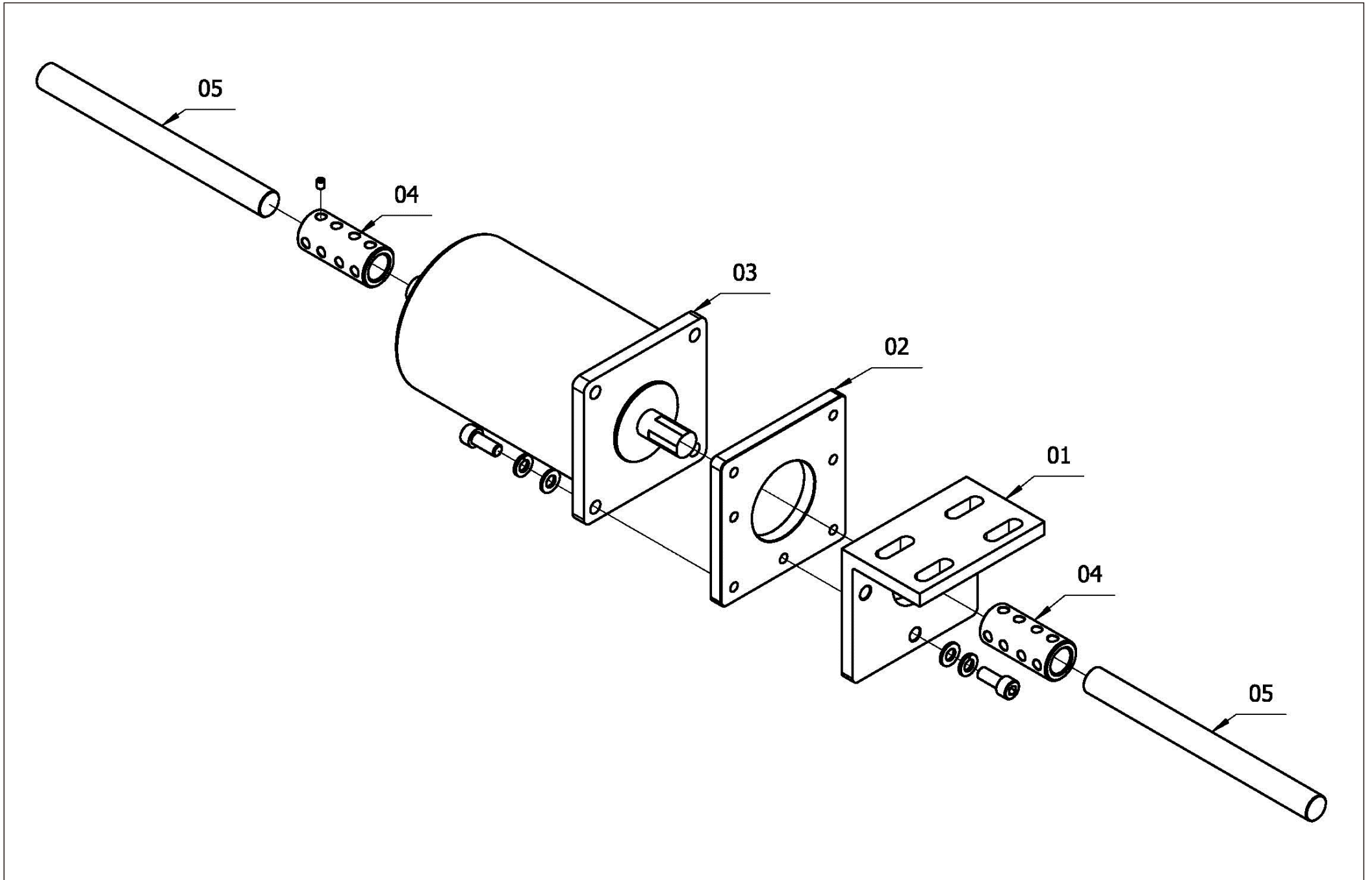
20551V2

No.	Serial No.	Part name	Q'TY
01	2055100160	Drive Base-600-450 ♦	1
01	2055100165	Drive Base-650-500 ♦	1
02	2055100245	Drive Base Block Plate-540-450 ♦	2
02	2055100250	Drive Base Block Plate-590-500 ♦	2
03	2055100313	Timming Belt HTD5M-40-1300-450 ♦	1
03	2055100314	Timming Belt HTD5M-40-1400-500 ♦	1
04	4010020550	Linear Guide Rail Set 25-L550 ♦	1
04	4010020600	Linear Guide Rail Set 25-L600 ♦	1
05	2055100500	Belt Pressing Plate	1
06	2055100800	Bearing 6904 With Shaft Sleeve 18 - 37	2
07	2055100700	Driving Bearing Base	2
08	2055060000	Drive Pulley-Drive-XY	1
09	20551009**	Driver Shaft-18-160	N
10	2055101000	Tension Plate Base	1
11	2055101100	Tension Screw Plate	1
12	2055101200	Driving Tension Wheel Base	1
13	2055101300	Driving Tension Wheel Shaft	1
14	80032681	Inside Spring-26	2
15	80031022	Deep Groove Ball Bearing 26-10-8	2
16	2055101600	Tension Wheel Block Ring	2
17	2055070000	Driven Pulley-Drive-XY	1

No.	Serial No.	Part name	Q'TY
18	2055101850	Limit Bar-T500	1
19	2055101900	Cable Holding Plate	1
20	80391011	Corrugated Nylon Pipe Joint AD13	2
21	80333601	Micro Approximity Switch	1
22	2055102200	Limit Switch Base	1
23	2055102300	Spiral Cable	1
24	2055102400	Tension Wheel Base Cover	1
25	2055102500	Drive Base Block	2
26	2055102601	Limit Baffle-Guide-CHT2	2

55.20 X&Y STEPPING MOTOR

20552V2



55.20 X&Y STEPPING MOTOR

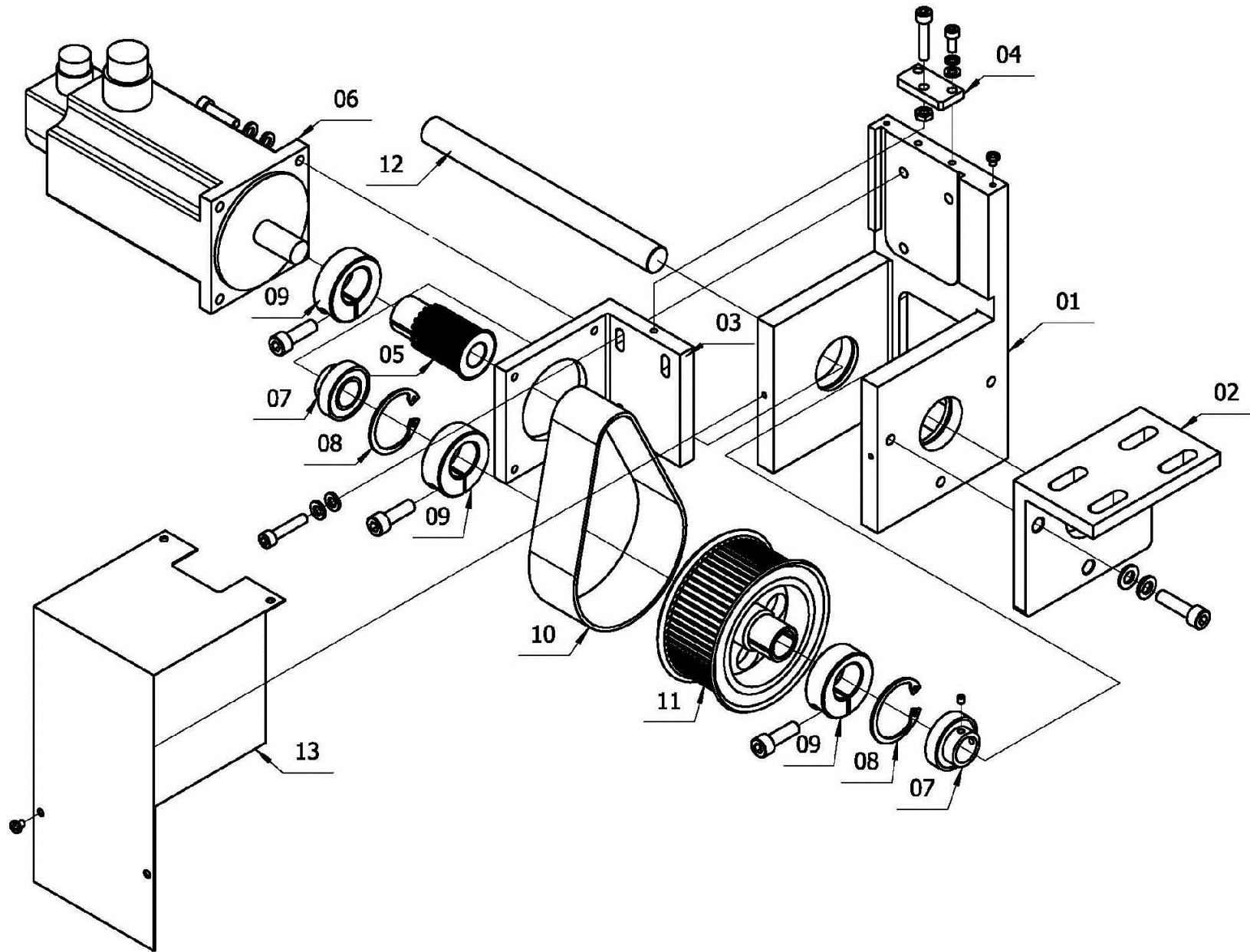
20552V2

No.	Serial No.	Part name	Q'TY
01	2055200100	Motor Mounting Base	1
02	2055200200	Stepper Motor Mounting Plate - 110	1
03	80301130	Stepper Motor 11BYG350-18 Double ★	1
03	80301131	Stepper Motor 110BYG350Ah-18 Double ★	1

No.	Serial No.	Part name	Q'TY
03	80301136	Stepper Motor 11BYG350BH-220 Double ★	1
03	80301134	Stepper Motor 11BYG350CH-250 Double ★	1
04	80031811	Bearing Collar 18-60	2
05	20551009***	Driver Shaft-18	2

55.30 X&Y SERVO MOTOR

20553V2



55.30 X&Y SERVO MOTOR

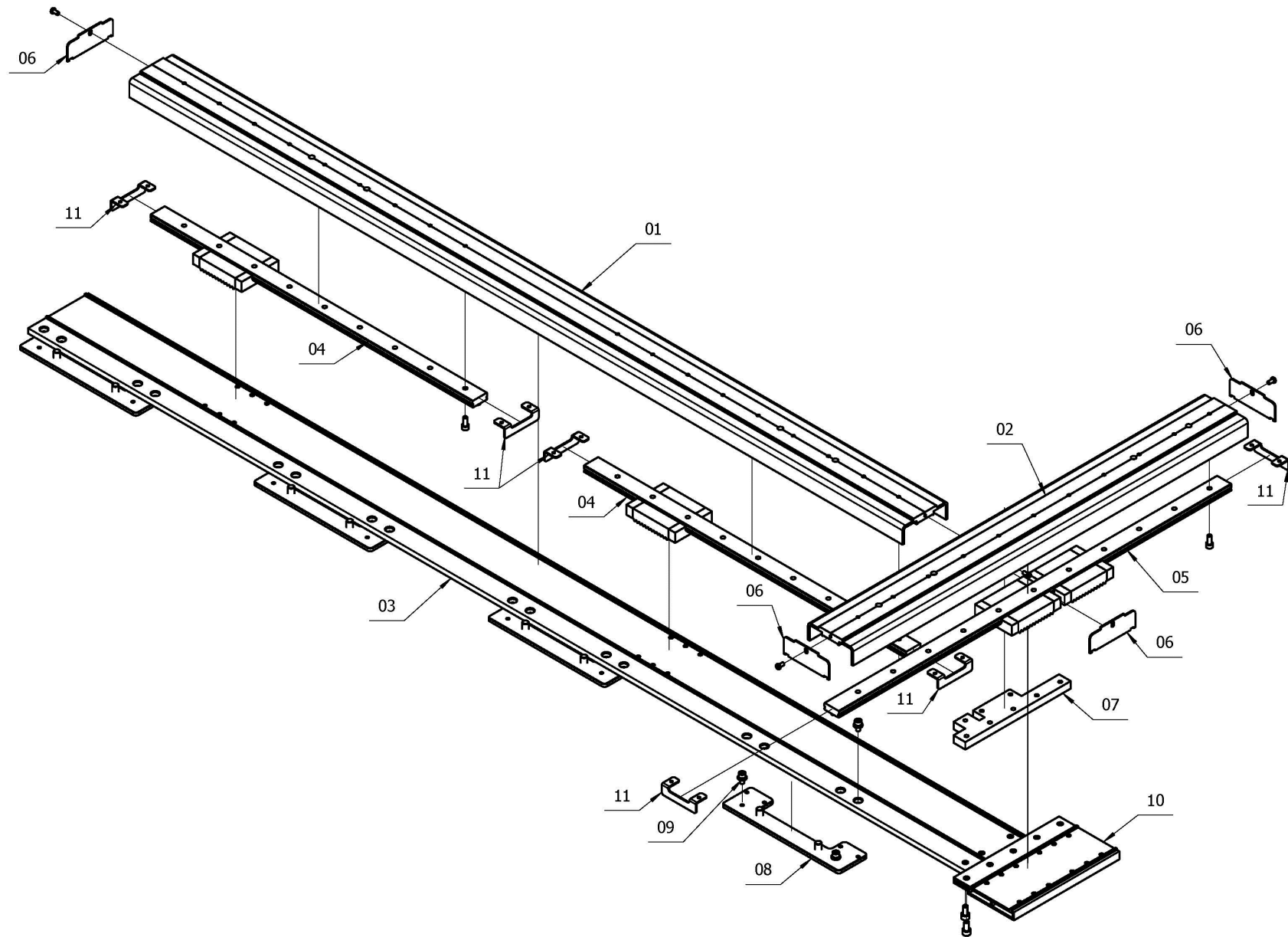
20553V2

No.	Serial No.	Part name	Q'TY
01	2055300100	Servo Drive Box- XY - 86	1
02	2055200100	Motor Mounting Base	1
03	2055300300	Servo Motor Base-86 ♦	1
03	2055300301	Servo Motor Base-80 ♦	1
04	2055101100	Tension Screw Plate	1
05	2055300500	Servo Motor Belt Wheel-XY-20-16 ♦	1
05	4010050206	Servo Motor Pulley XY ♦	1
06	80310363	Servo Motor 1000W ★	1
06	80310362	Servo Motor 750W ★	1

No.	Serial No.	Part name	Q'TY
07	2055100800	Bearing 6904 With Shaft Sleeve 18 - 37	2
08	80033781	Inside Spring-37	2
09	4010050212	Pulley Holding Ring	3
10	2055301000	Timming Belt HTD5M-40-420	1
11	2055301100	Servo Drive Wheel-HTD5M-40-60	1
12	20551009****	Driver Shaft-18	N
13	2055301300	XY Servo Drive Box Cover	1

55.40 X&Y SERVO MOTOR

20554V3



55.40 X&Y SERVO MOTOR

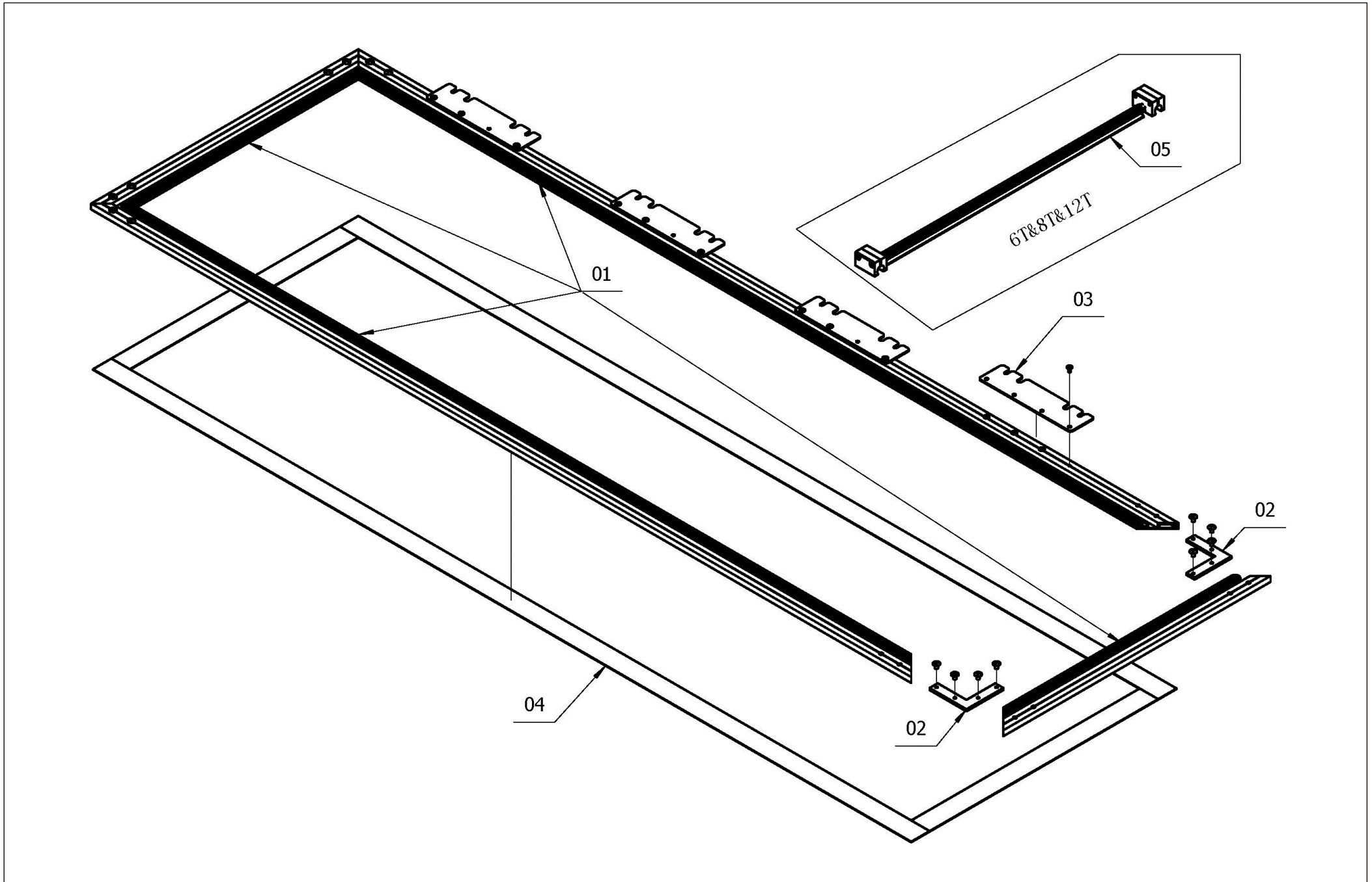
20554V3

No.	Serial No.	Part name	Q'TY
01	20554001**	Driver Beam-Y-4T400	1
02	2055400200	Drive Beam-X ♦	1
02	2055400212	Drive Beam-X-12T ♦	1
03	20554003**	Frame Connection Plate-Y	1
04	4010020550	Linear Guide Rail Set 25-L550 ♦	N
04	4010020600	Linear Guide Rail Set 25-L600 ♦	N
05	2055400500	Drive Linear Guide Rail- Double Slid Blocks-X-25-L670	1

No.	Serial No.	Part name	Q'TY
06	2055400600	Drive Beam Blocker	4
07	2055400700	Connecting Block	1
08	2055400800	Frame Fixed Plate	N
09	80813581	M5*14 Hexagon Socket Caphead Screw	N
10	2055400310	Frame Connection Plate-Y	1
11	2055102601	Limit Baffle-Guide-CHT2	N

60.10 FLAT EMBROIDERY FRAME

20601V2



60.10 FLAT EMBROIDERY FRAME

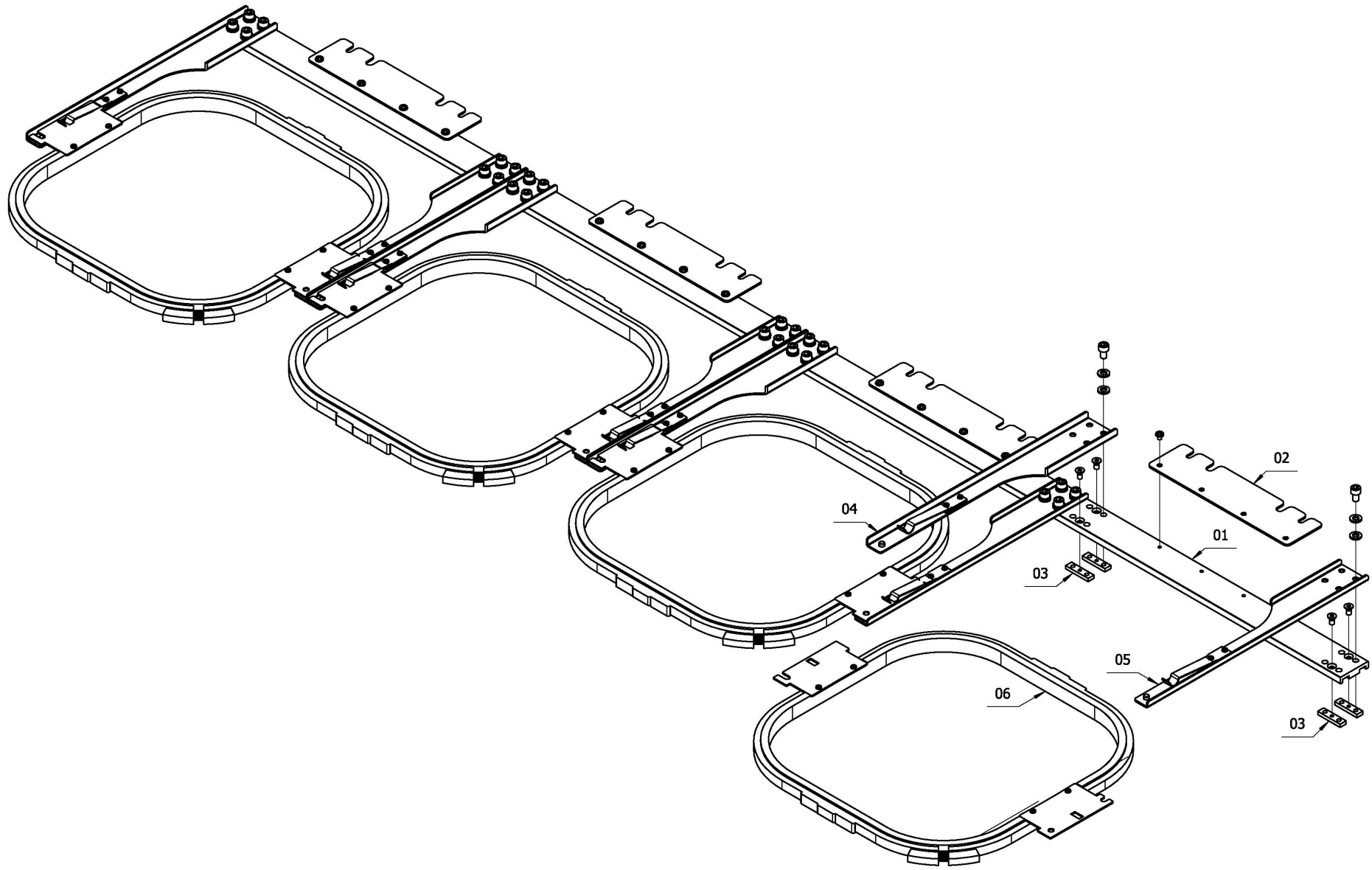
20601V2

No.	Serial No.	Part name	Q'TY
01	2060100144	Sash Frame 4 Head T400X450Y450 ♦	1
01	2060100145	Sash Frame 4 Head T500X500Y450 ♦	1
01	2060100164	Sash Frame 6 Head T400X450Y450 ♦	1
01	2060100165	Sash Frame 6 Head T500X500Y450 ♦	1
01	2060100184	Sash Frame 8 Head T400X450Y450 ♦	1
01	2060100185	Sash Frame 8 Head T500X500Y450 ♦	1
01	2060100194	Sash Frame 12 Head T400X450Y450 ♦	1

No.	Serial No.	Part name	Q'TY
02	02513010	Rectangular Frame Holder-CT	4
03	2060100300	Frame Fixed Plate	N
04	71125115	Felt Pad-40*2000*1.0	N
05	2060100500	Sash Frame Middle Support ASSY	N

60.20 HOOPS

20602V2



60.20 HOOPS

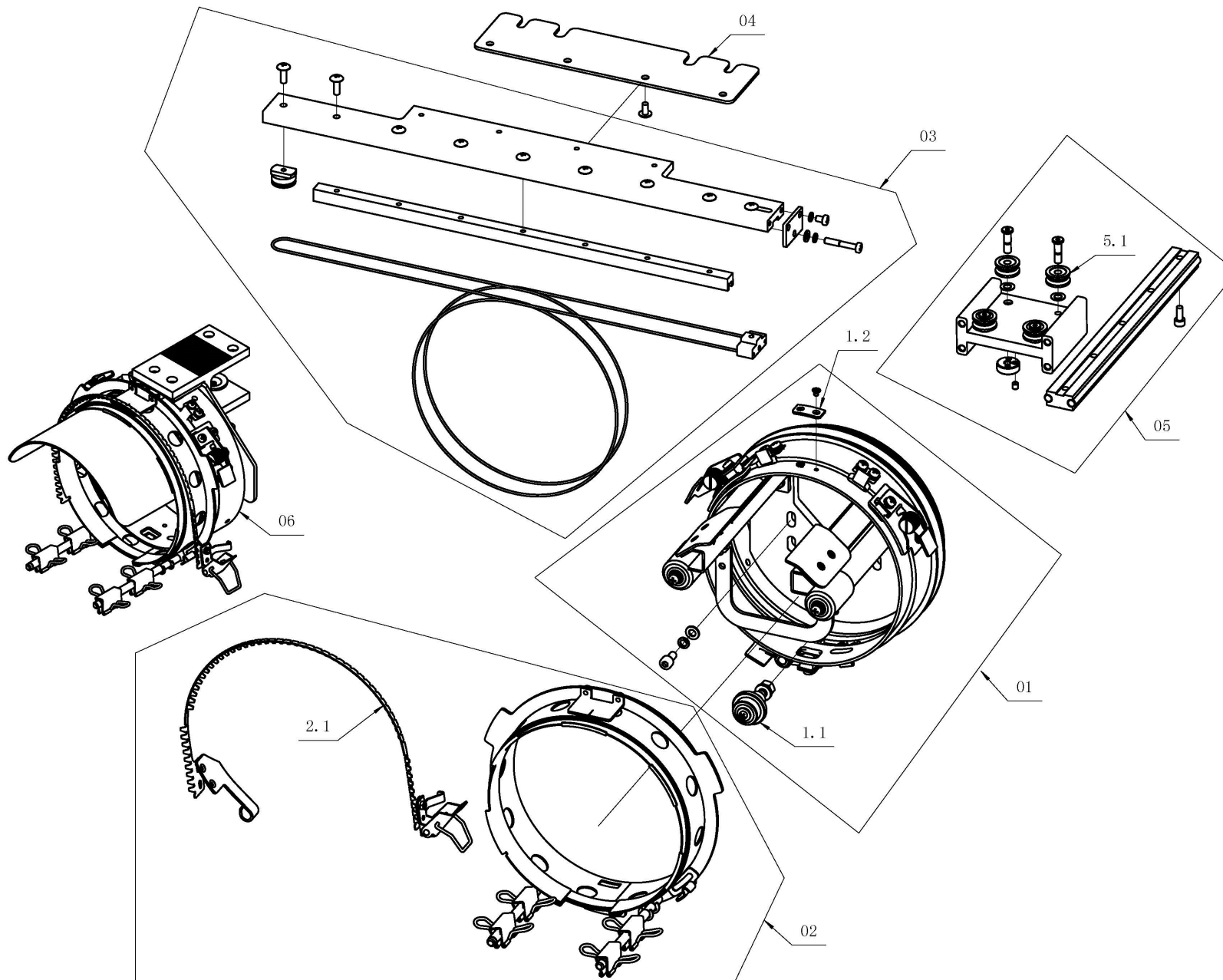
20602V2

No.	Serial No.	Part name	Q'TY
01	2060200144	Frame Support Bar 4 Head T400X450Y450 ♦	1
01	2060200145	Frame Support Bar 4 Head T500X500Y450 ♦	1
01	2060200164	Frame Support Bar 6 Head T400X450Y450 ♦	1
01	2060200165	Frame Support Bar 6 Head T500X500Y450 ♦	1
01	2060200184	Frame Support Bar 8 Head T400X450Y450 ♦	1
01	2060200185	Frame Support Bar 8 Head T500X500Y450 ♦	1
01	2060200194	Frame Support Bar 12 Head T400X450Y450 ♦	1
02	2060100300	Frame Fixed Plate	N
03	02540150	Nut Plate	N

No.	Serial No.	Part name	Q'TY
04	02540184CA	Left Arm	N
05	02540183CA	Right Arm	N
06	02540281CB	Hoop CA-90 ♦	N
06	02540381CB	Hoop CA-120 ♦	N
06	02540481CB	Hoop CA-150 ♦	N
06	02540581CB	Hoop CA-190 ♦	N
06	02540681CB	Hoop CA-290 ♦	N
06	02540881VA	Hoop-395x315 ♦	N
06	02540781VA	Hoop-400 ♦	N

60.30 CAP ATTACHMENT

20603V2



60.30 CAP ATTACHMENT

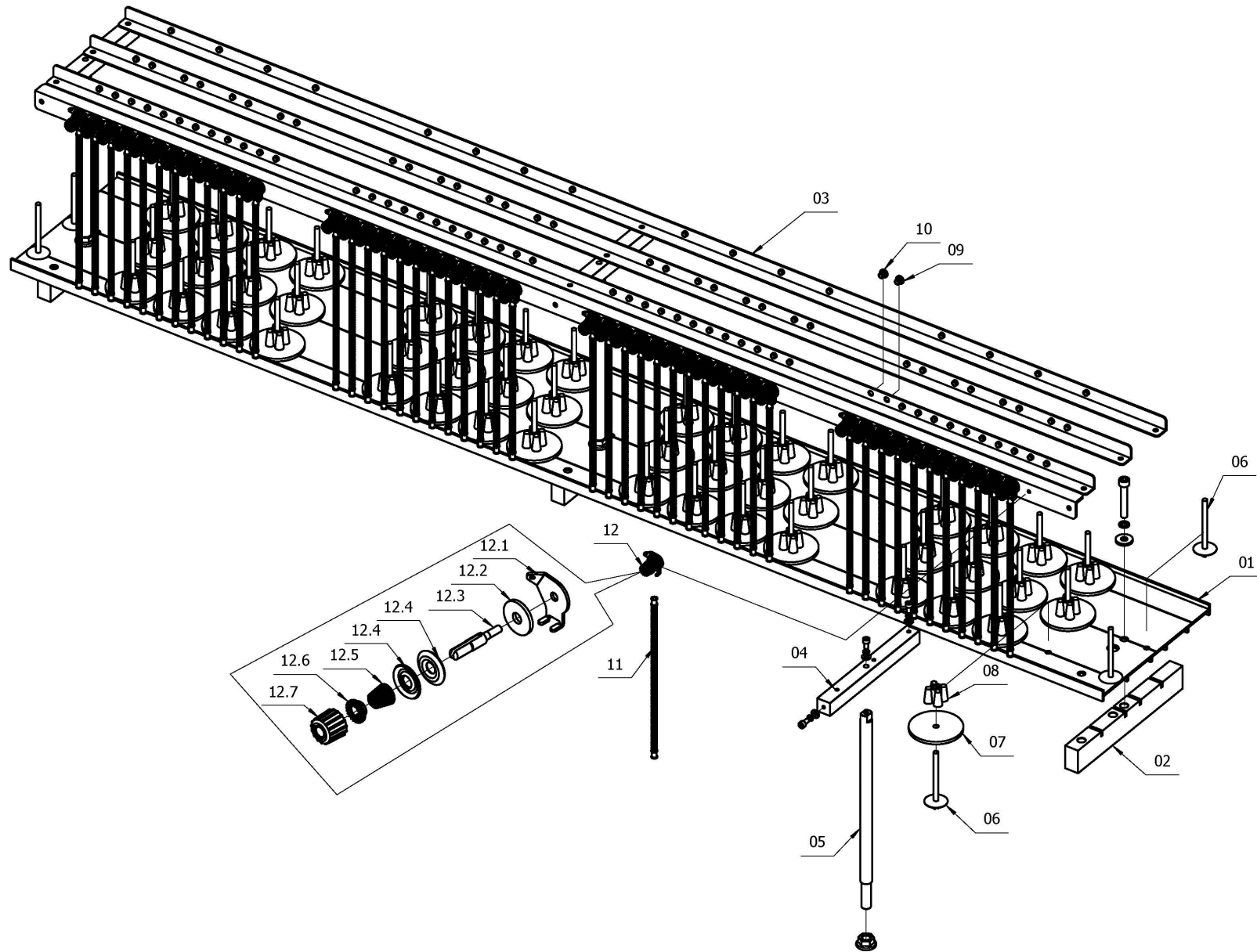
20603V2

No.	Serial No.	Part name	Q'TY
01	02815081	Cap Rack–Small Lower Shaft Arm	1
1.1	02810161	Eccentric Wheel Components	3
1.2	02811006	Positioning Block	1
02	02811080	Cap Ring Kit -360	1
2.1	02811082VA	Cap Strapping Rod Unit - Single Strap	1
03	2060300340	Cap Rack Drive Connecting Plate Set-T400 ♦	1
03	2060300350	Cap Rack Drive Connecting Plate Set-T500 ♦	1

No.	Serial No.	Part name	Q'TY
04	2060100300	Frame Fixed Plate	1
05	02815039	Linear Guide Rail Set Rkm-220-L	1
5.1	02815034	U-Shape Bearing	4
06	02810581	Cap Rack Mounting Base Assembly	1

65. THREAD AND STAND

20650V2



65. THREAN AND STAND

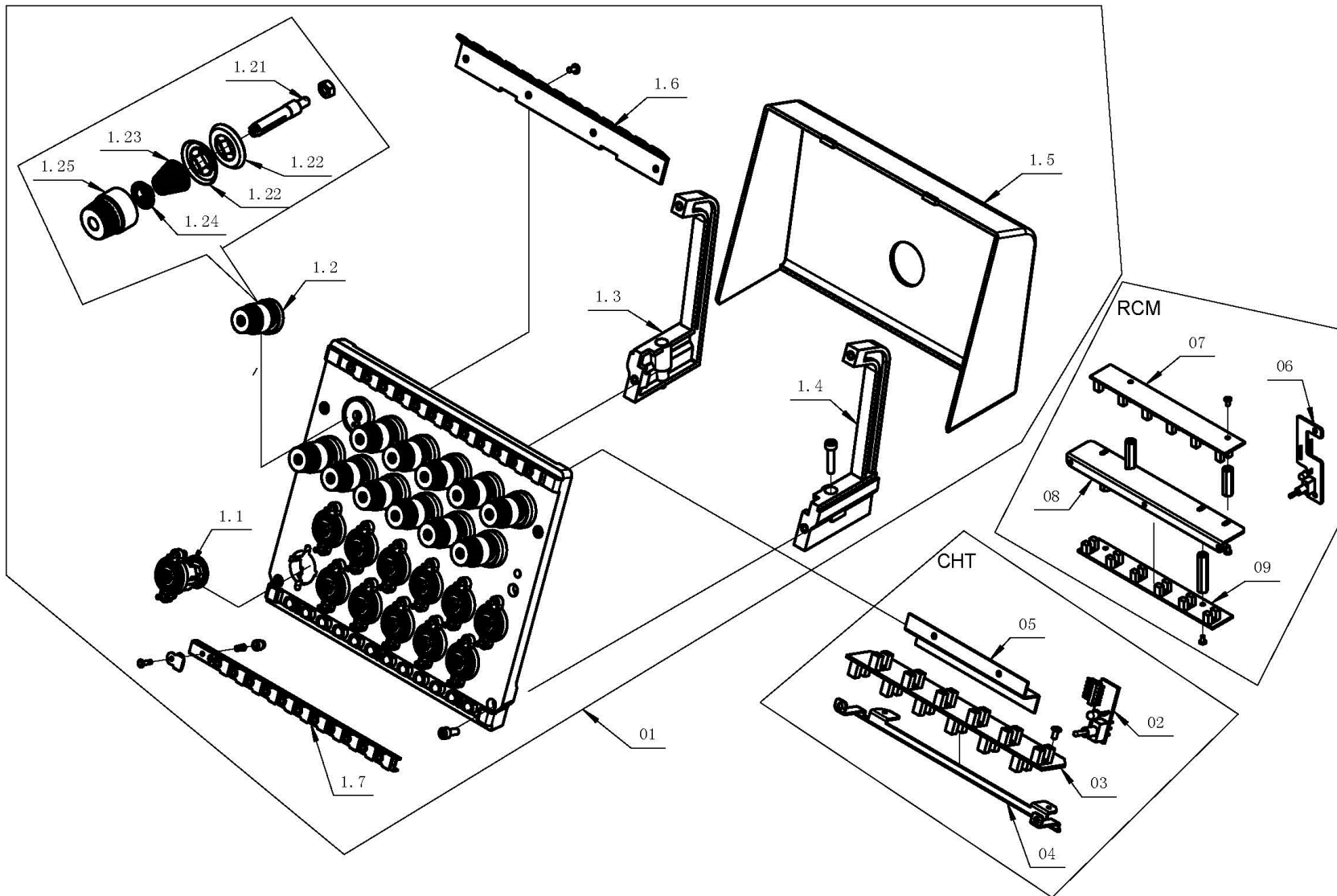
20650V2

No.	Serial No.	Part name	Q'TY
01	206501****	Thread Plate	1
02	2065020000	Thread Tray Fixed Beam	N
03	206503****	Thread Stand	1
04	2065040000	Thread Stand Beam	N
05	2065050000	Thread Stand Pole	N
06	80211007	Thread Spool Pole	N
07	80211009	Foam Cushion	N
08	80211008	Plastic Cushion B5	N
09	80211005	Thread Stand Bushing-White	N
10	80211006	Thread Stand Bushing-Red	N

No.	Serial No.	Part name	Q'TY
11	72010869	Plastic Thread Tube Components-350	N
12	03144260	Thread Stand Knob Components-RCM-Gray	N
12.1	03141001	Thread Guide Plate-Wheel	N
12.2	80211104	Felt Gasket	N
12.3	03144208	Knob Pole-Wheel	N
12.4	03144202	Thread Pressing Plate-Wheel	2N
12.5	03144209	Tension Spring-Wheel	N
12.6	03144226	Lock Washer-Wheel	N
12.7	03144207	Tension Knob-Wheel	N

70.10 WHEEL-ONLY THREAD TENSION BASE

20701V2



70.10 WHEEL-ONLY THREAD TENSION BASE

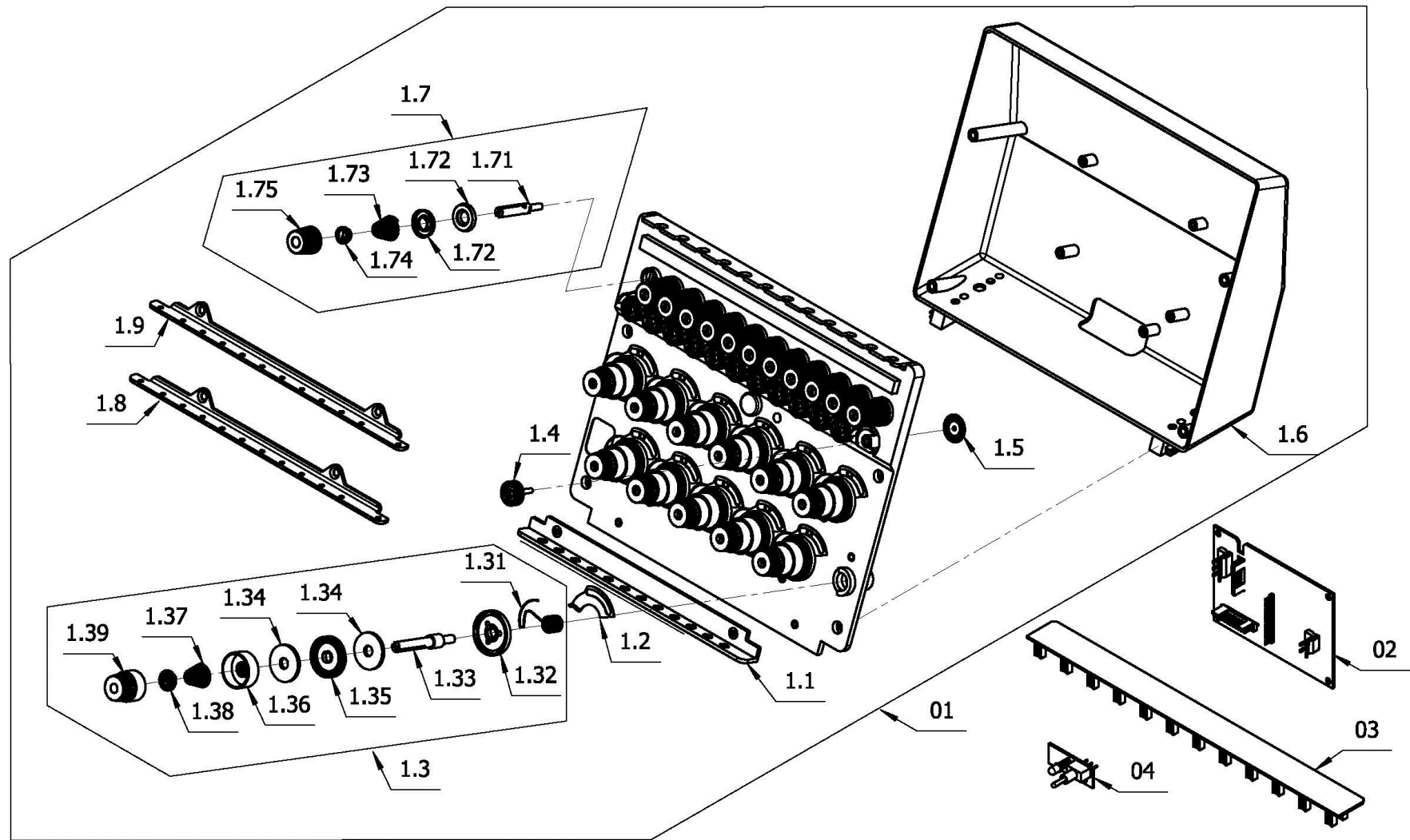
20701V2

No.	Serial No.	Part name	Q'TY
01	03144291VA	Thread Tension Base-12-RCM ♦	1
01	03144391VA	Thread Tension Base-15-RCM ♦	1
1.1	03144252	Thread Course Wheel Module-Bearing	N
1.2	03144254	Adjusting Knob Module– Thread Tensioner	N
1.21	03144208	Knob Pole-Wheel	1
1.22	03144203	Clamp Plate	2
1.23	03144224	Tension Spring	1
1.24	03144226	Lock Washer-Wheel	1
1.25	03144207	Tension Knob-Wheel	1
1.3	03144214	Bracket Left-Thread Tension Base	1
1.4	03144215	Bracket Right-Thread Tension Base	1
1.5	03144212	Thread Tension Base Rear Cover-12 ♦	1
1.5	03144312	Thread Tension Base Rear Cover-15 ♦	1
1.6	03144210	Thread Guide Support Plate-12 ♦	1
1.6	03144310	Thread Guide Support Plate-15 ♦	1
1.7	03144253	Thread Course Strip Module-12 ♦	2
1.7	03144353	Thread Course Strip Module-15 ♦	2
02	8045100111	Light Switch Board-Wheel-LED(99-KG04B)	1
03	8045090212	Thread Break Detection Strip-Wheel-12(99-DJP128A)	1
03	8045090215	Thread Break Detection Strip-Wheel-15(99-DJP154A) ♦	1
04	8045900112	Support Bracket-12 ♦	1

No.	Serial No.	Part name	Q'TY
04	8045900115	Support Bracket-15 ♦	1
05	80459041	Bracket-Thread Course	1
06	80230731	Light Switch Board-KD002	1
07	80233303	Single 6 (12) Sensor Board-HLC301A ♦	1
07	80233301	Single 7 (15) Sensor Board-HLF303 ♦	1
08	80233311	Sensor Board Support-12 ♦	1
08	80233312	Sensor Board Support-15 ♦	1
09	80233304	Double 6 (12) Sensor Board-HLC302A ♦	1
09	80233302	Double 8 (15) Sensor Board-HLF304 ♦	1

70.20. WHEEL+SPRING THREAD TENSION BASE ♦

20702V2



70.20. WHEEL+SPRING THREAD TENSION BASE◆

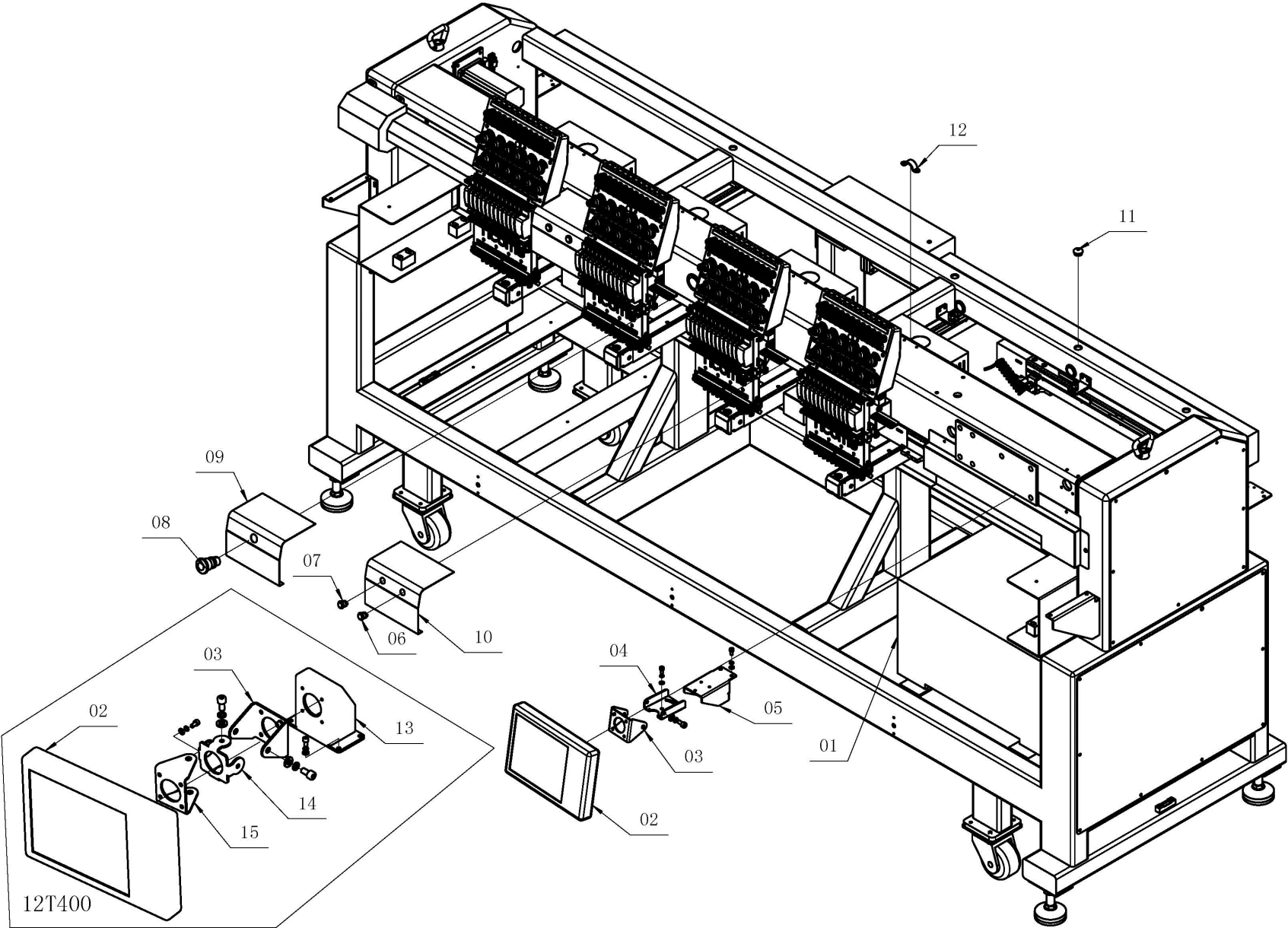
20702V2

No.	Serial No.	Part name	Q'TY
01	72216012	Wheel+Spring Thread Tension Base-12-DY◆	1
01	72216015	Wheel + Spring Thread Tension Plate-15-DY◆	1
1.1	72210112	Upper Thread Course-12◆	1
1.1	72210115	Upper Thread Course-15◆	1
1.2	72210201	Take-Up Thread Spring Copper	1
1.3	72210360	Large Knob Assembly-DY	1
1.31	72210301	Take-Up Thread Spring	1
1.32	72210302	Ring	1
1.33	72210303	Thread Clamp Bolt-DY	1
1.34	72210304	Cotton Pad	2
1.35	72210305	Winding Wheel	1
1.36	72210306	Spring Seat	1
1.37	72210307	Spring	1
1.38	72210308	Locking Washer	1
1.39	72210309	Tension Knob	1
1.4	72210401	Winding Wheel-DY	1
1.5	72210501	Chop Light Wheel	1
1.6	72210612	Thread Tension Base Rear Cover-12-Wheel+Spring◆	1
1.6	72210615	Thread Tension Base Rear Cover-15-Wheel+Spring◆	1
1.7	72210760	Small Knob Assembly-DY	1
1.71	72210701	Thread Clamp Bolt-DY	1

No.	Serial No.	Part name	Q'TY
1.72	72210702	Pressing Sheet	2
1.73	72210703	Small Spring	1
1.74	72210704	Lock Washer - Small Knob-DY	1
1.75	72210705	Tightening Knob - Small Knob-DY	1
1.8	72210812	Lower Thread Rack-12◆	1
1.8	72210815	Lower Thread Rack-15◆	1
1.9	72210912	Upper Thread Rack-12◆	1
1.9	72210915	Upper Thread Rack-15◆	1
02	8045081315	Signal Exchange Board(CHT E-HT154A)◆	1
02	80230711DX	Thread Break Detection Board -RCM-HT154A(04)◆	1
03	8045091312	Thread Break Detection Strip-Wheel+Spring-12(HLC19)◆	1
03	8045091315	Thread Break Detection Strip-Wheel+Spring-15(HLF19A)◆	1
03	80230712DX	Thread Break Detection Board -12-HLC19◆	1
03	80230725DX	Bobbin Thread Break Detection Board -15-HLF19◆	1
04	8045100101	Light Switch Board-LED(CHT 99-KG13A)◆	1
04	80230730	Light Switch Board-LED(RCM KD102)◆	1

75. ELECTRONIC COMPONENTS

20750V2



75. ELECTRONIC COMPONENTS

20750V2

No.	Serial No.	Part name	Q'TY
01	80456272XY	Electric Control Full Set-RS10-CT4+ ♦	1
01	80232882	Electric Control Full Set-528-CT4+ ♦	1
02	8045021101	Control Panel ST10 ♦	1
02	80230501	Control Panel DH-528 ♦	1
03	02720130	Bracket C - Large	1
04	02720542	Control Panel Bracket Base-Rotary-D	1
05	02720541	Control Panel Main Bracket-D1	1
06	80350101	Button – Red ϕ 16	N
07	80350102	Button – Green ϕ 16	N
08	80233111	Emergency Stop Switch	N
09	01227153	Arm Cover-Emergency-191 ♦	N
09	01227163	Arm Cover-Emergency-291 ♦	N

No.	Serial No.	Part name	Q'TY
09	01227193	Arm Cover-Emergency-238 ♦	N
09	01227196	Arm Cover-Emergency-138 ♦	N
10	01227152	Arm Cover-Start/Stop-191 ♦	N
10	01227162	Arm Cover-Start/Stop-291 ♦	N
10	01227194	Arm Cover-Start/Stop-238 ♦	N
10	01227195	Arm Cover-Start/Stop-138 ♦	N
11	4012030000	Cap Φ 19	N
12	2075120000	Cable Clamp-18	N
13	2075030000	Control Panel Bracket 12T	1
14	02720132	Bracket B	1
15	02720131	Bracket C	1



Copyright © RiCOMA (Shenzhen) Co., Ltd. All rights reserved.