



# HP-1620F-T

# PARTS

# BOOK

Version:06000V1

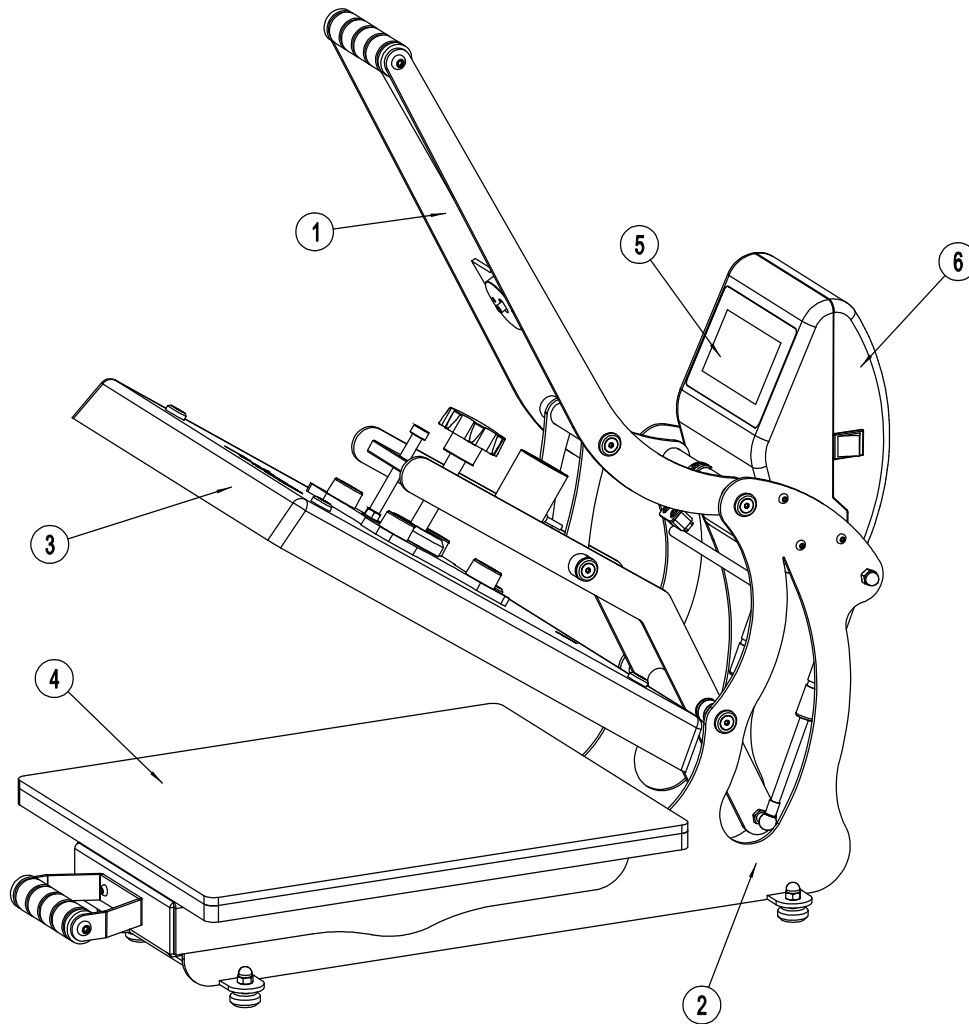
THINK BEYOND

# contents

01	•	Machine handle -----	<b>04</b>
02	•	Machine base -----	<b>06</b>
03	•	Upper heating part -----	<b>08</b>
04	•	Heat transfer lower platform -----	<b>10</b>
05	•	Controller front cover -----	<b>12</b>
06	•	Controller rear cover -----	<b>14</b>
07	•	Electrical Schematic -----	<b>16</b>

# General View

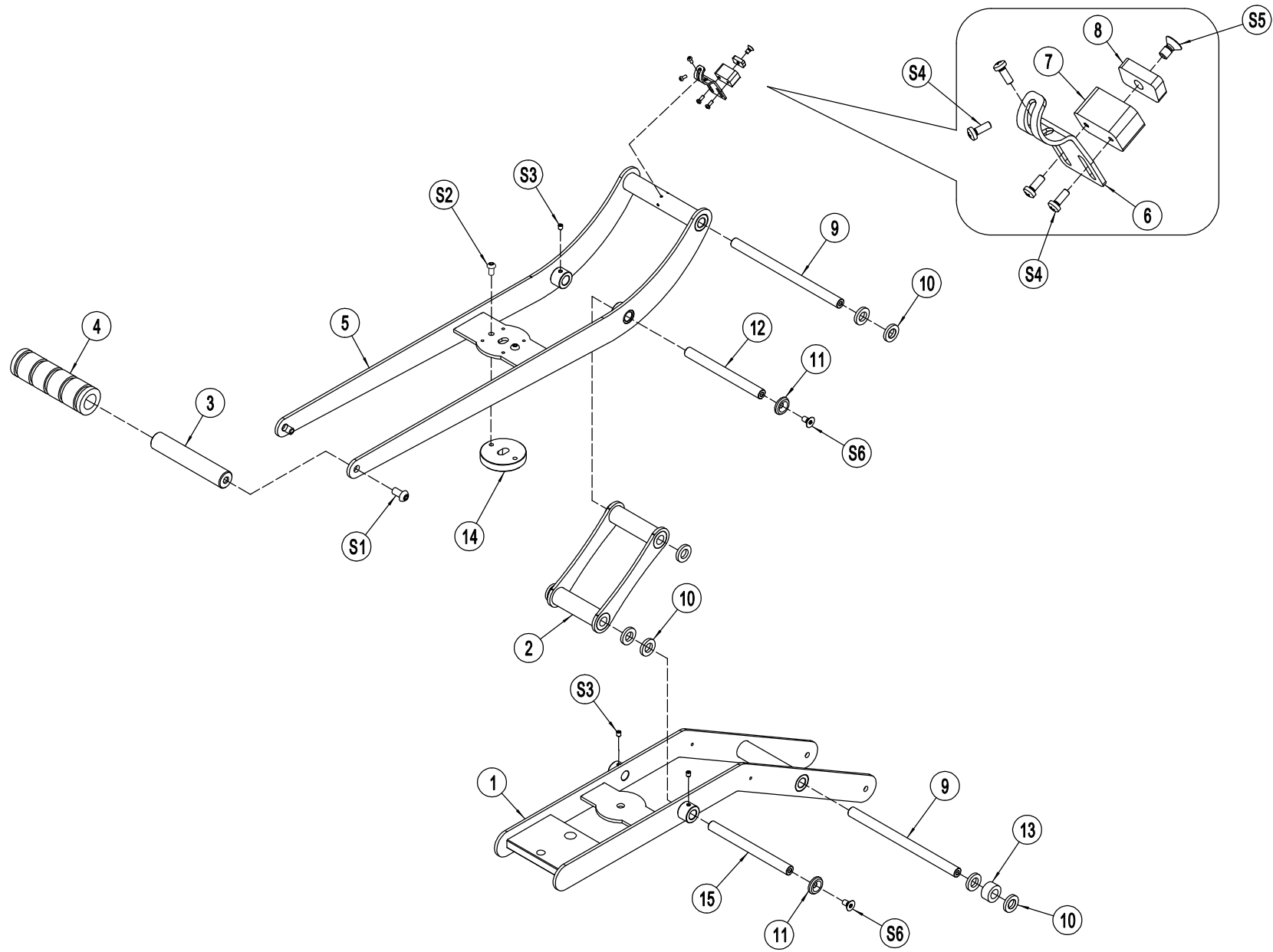
HP-1620F-T



No.	Part Name
1	Machine handle
2	Machine base
3	Upper heating part
4	Heat transfer lower platform
5	Controller front cover
6	Controller rear cover

# 1. Machine handle

HP-1620F-T



# 1. Machine handle

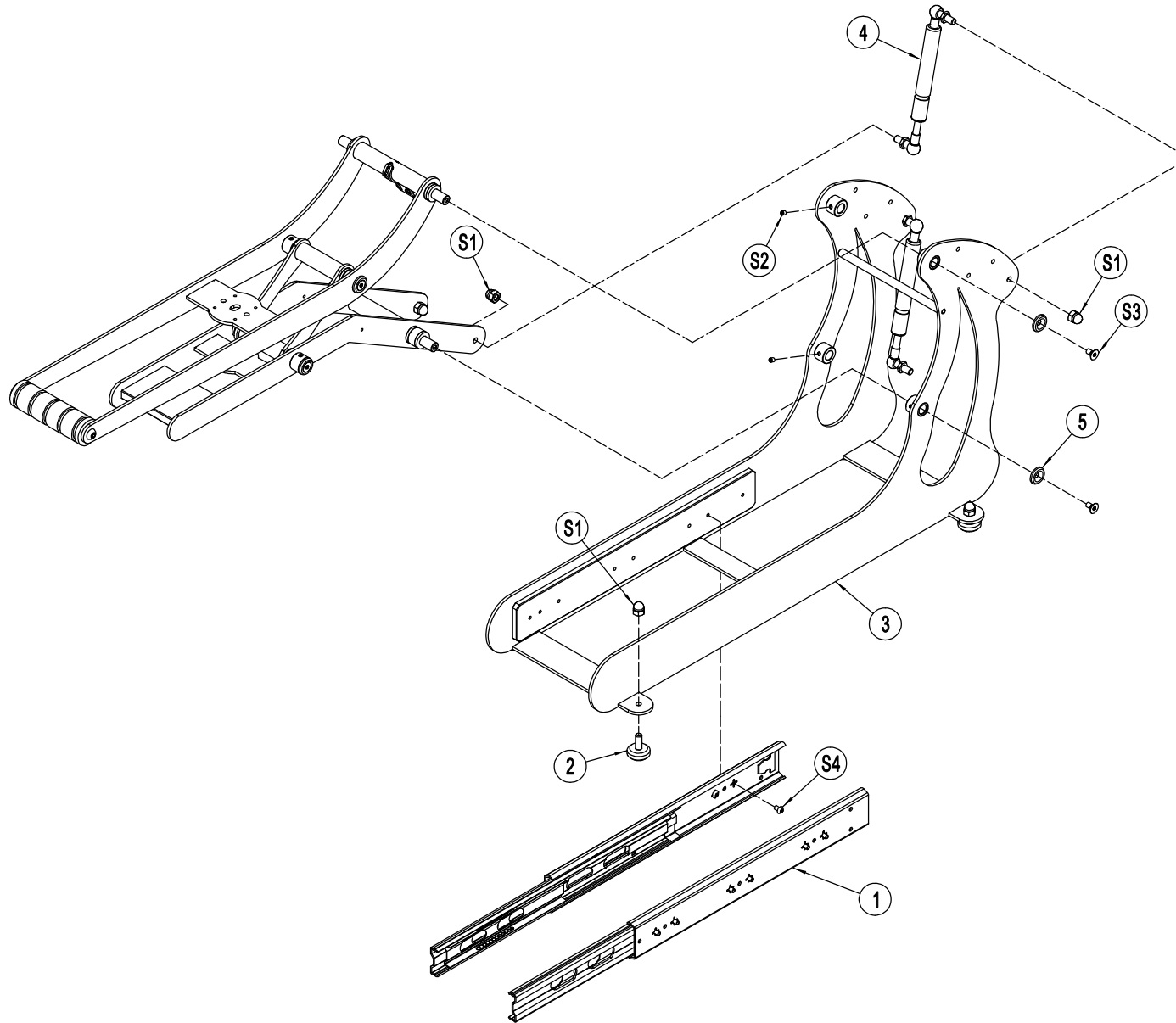
HP-1620F-T

No.	Serial No.	Part Name	Remark
1	5030162003	Lower Lever Assembly - 1620F	
2	5030151504	Connecting Rod - 1515F	
3	5050010005	Handle L117	
4	5050040001	Foam Handle	
5	5030162002	Upper Lever Assembly - 1620F	
6	5050030015	Sensor Plate	
7	5050020002	Magnet Base	
8	80080201	Square Magnet 20*10*5	
9	5050010006	Shaft L180	
10	5050010003	Hinge Gasket	
11	5050010002	Decorating Piece	
12	5050010007	Shaft L125.5	
13	5050010004	Hinge Spacer	
14	5050010028	Iron Block	
15	5050010008	Shaft L133	

No.	Serial No.	Part Name	Remark
S1	80763816-BL	M8*16 Hexagon Round Head Screw	
S2	80763612-BL	M6*12 Hexagon Round Head Screw	
S3	80880506	Set Screw M5-L6	
S4	80742306	M3*6 Flange Phillips Round Head Screw	
S5	80860408	M4*8 Flat Head Philips Head Screw	
S6	80866612-BL	M6*12 Hexagon Socket Head Screw	

## 2. Machine base

HP-1620F-T



## 2. Machine base

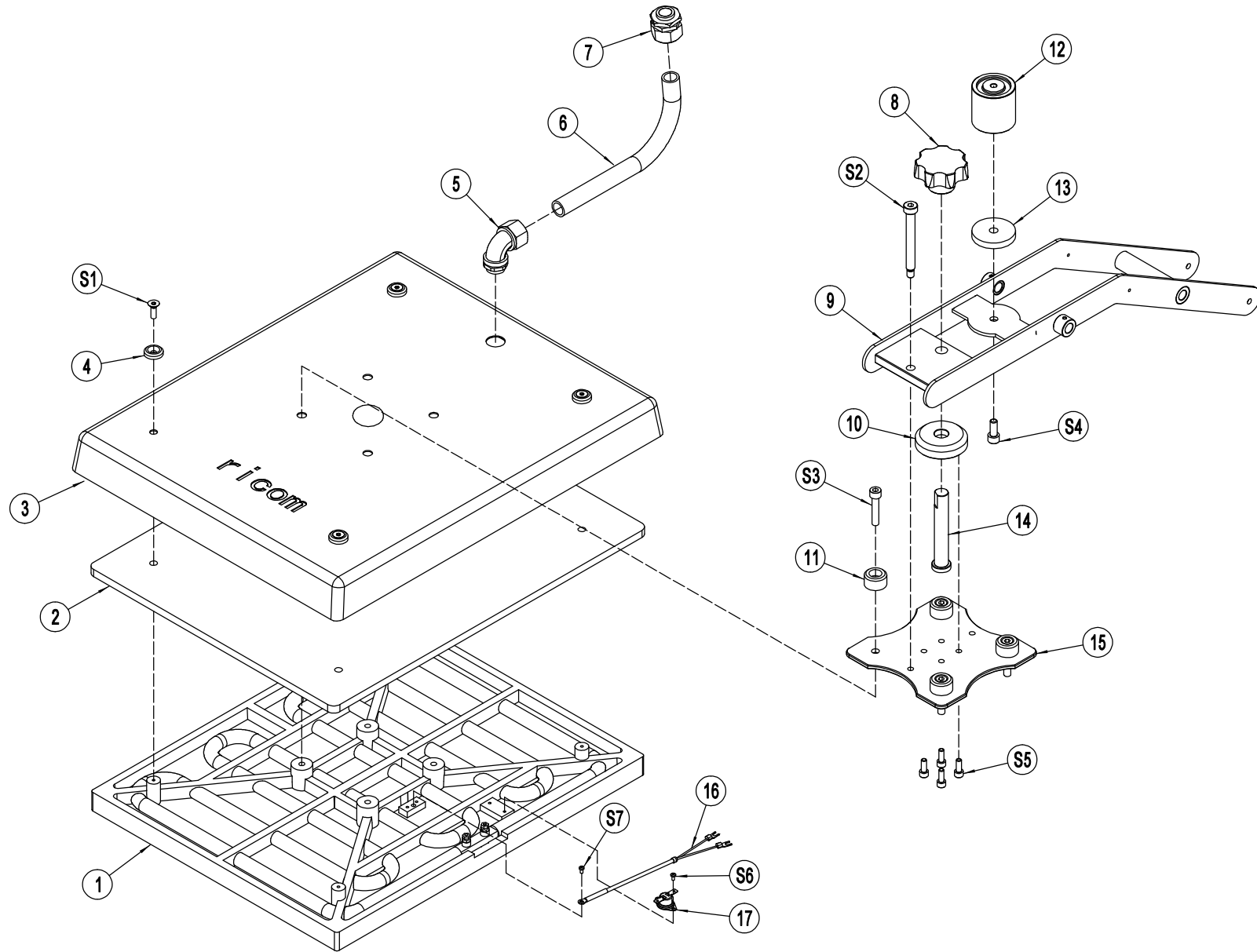
HP-1620F-T

No.	Serial No.	Part Name	Remark
1	80017053-400	Slide Rail - L400	
2	80277108-20	Foot M8-20	
3	5030162006	Body Assembly - 1620F-T	
4	80060108-425	Gas Spring FHL62-M8-425	
5	5050010002	Decorating Piece	

No.	Serial No.	Part Name	Remark
S1	80900831	Nut with Cap M8	
S2	80880506	Set Screw M5-L6	
S3	80866612-BL	M6*12 Hexagon Socket Head Screw	
S4	80763508-BL	M5*8 Hexagon Round Head Screw	

# 3.Upper heating part

HP-1620F-T





### 3.Upper heating part

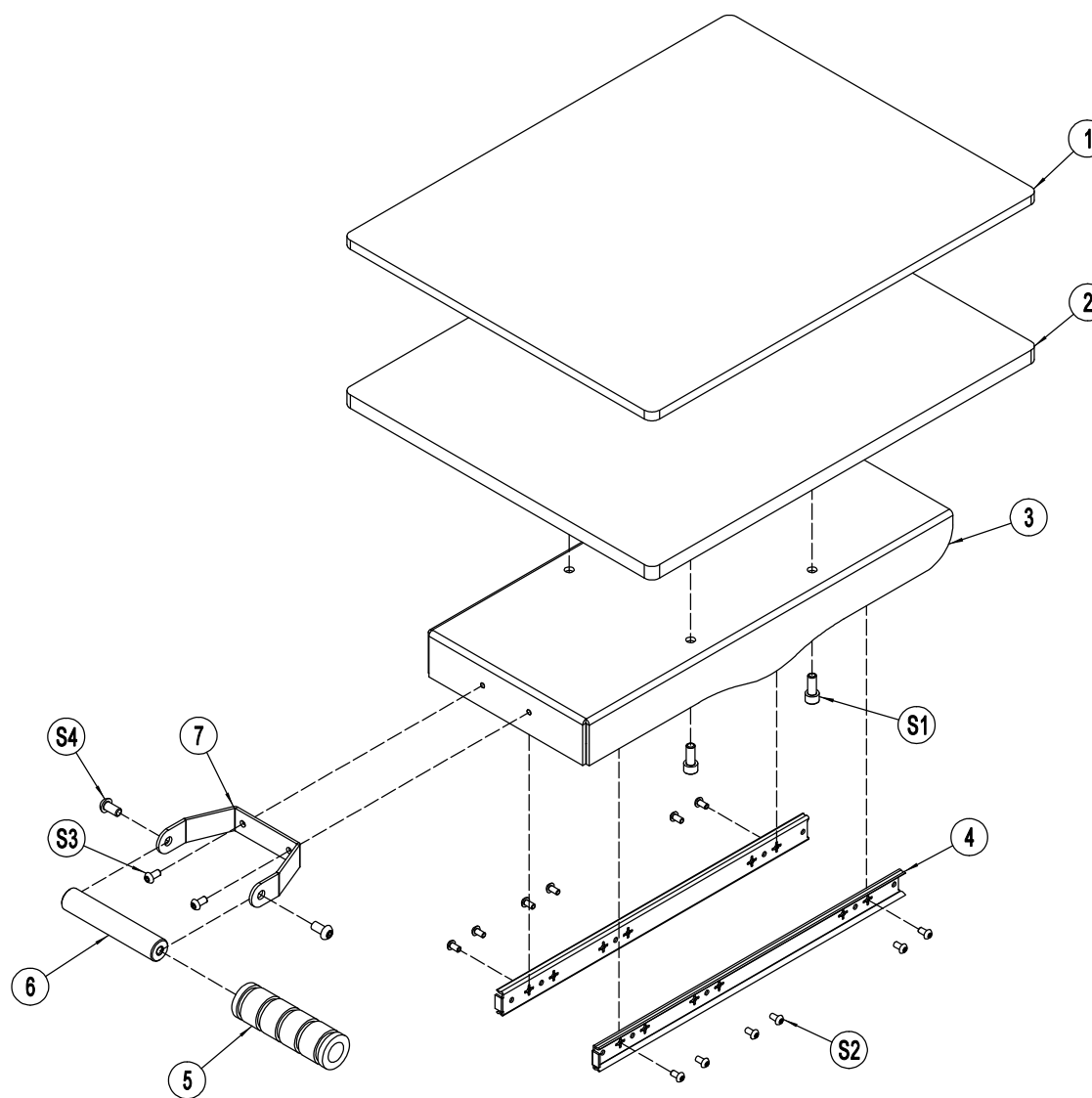
HP-1620F-T

No.	Serial No.	Part Name	Remark
1	5020162004	Heating Plate - 1620F	
2	5020162002	Insulation Cotton - 1620F	
3	5020162001	Heating Plate Protecting Cover - 1620F	
4	5050010025	Insulation Cushion	
5	80380303	Metal Hose Joint G1-2 Φ16MM - 90 Degree Angle	
6	80071601-300	Metal Hose Φ16MM-L300	
7	80380302	Metal Hose Joint G1-2 Φ16MM	
8	80921201	Star Handle AM16*65	
9	5030162003	Lower Lever Assembly - 1620F	
10	5050010022	Flange Base	
11	5050010026	Insulation Cap - M10	
12	80320701	Solenoid 50*50	
13	5050010009	Rubber Cushion	
14	5050010021	Bolt	
15	5050020010	Transfer Board - 2	
16	80330202	Thermal Resistance PT100	
17	80330201	Overheat Protector KSD301-230 - Plate Type	

No.	Serial No.	Part Name	Remark
S1	80866520-BL	M5*20 Hexagon Flat Head Screw	
S2	80924220	Shoulder Bolt D10-L80-M8	
S3	80814035-BL	M10*35 Hexagon Socket Head Cap Screw	
S4	80813830-BL	M8*30 Hexagon Socket Head Cap Screw	
S5	80813616-BL	M6*16 Hexagon Socket Head Cap Screw	
S6	80742306	M3*6 Flange Phillips Round Head Screw	
S7	80763612-BL	M6*12 Hexagon Round Head Screw	

# 4.Heat transfer lower platform

HP-1620F-T



# 4.Heat transfer lower platform

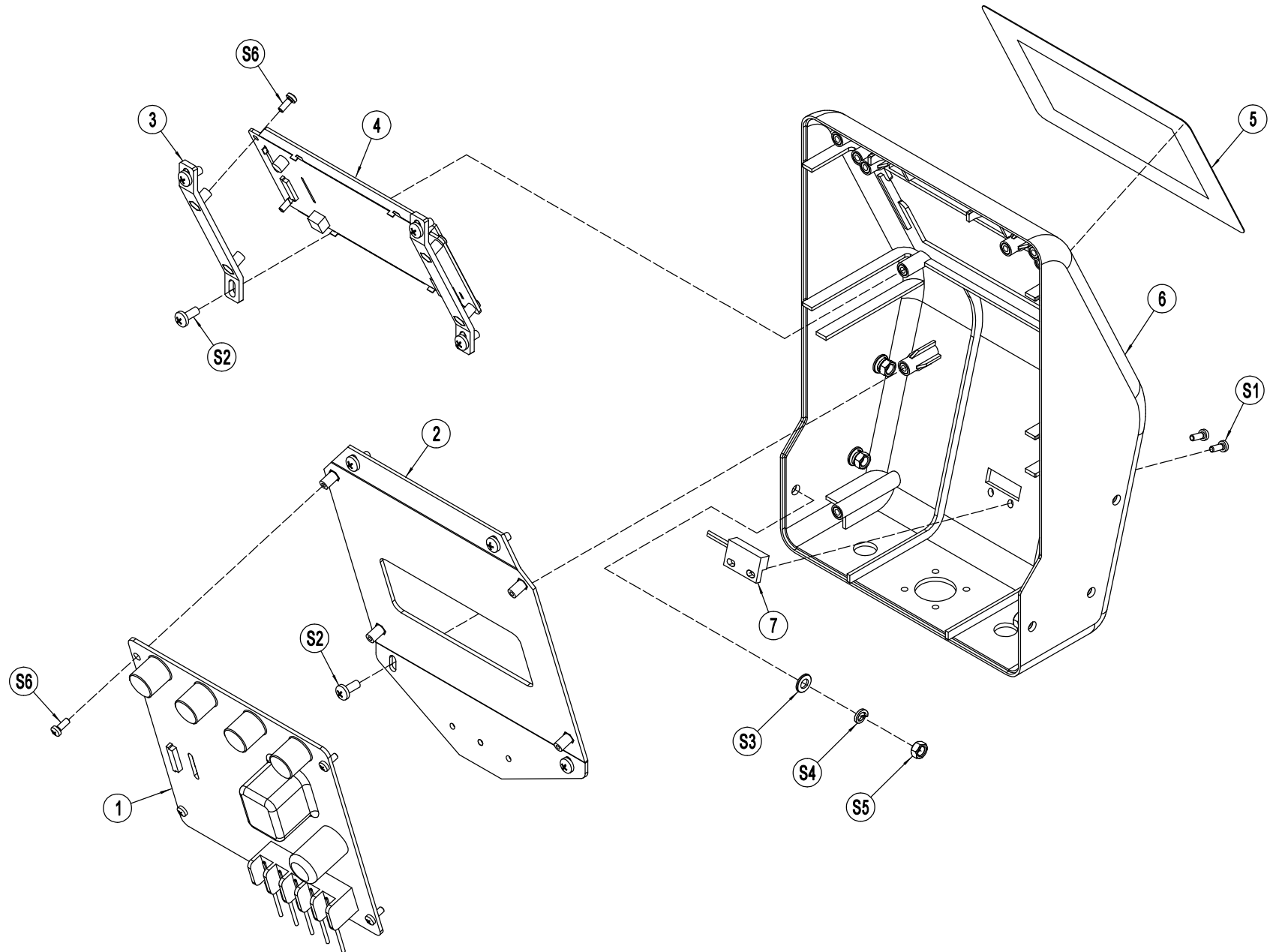
HP-1620F-T

No.	Serial No.	Part Name	Remark
1	50401620001	Silicone Cushion - 1620	
2	50401620002	Platform Floor - 1620	
3	5030162005	Slide Out Platen Assembly - 1620F-T	
4	80017053-400	Slide Rail - L400	
5	5050040001	Foam Handle	
6	5050010005	Handle L117	
7	5050030037	Handle Bracket	

No.	Serial No.	Part Name	Remark
S1	80763820-BL	M8*20 Hexagon Round Head Screw	
S2	80763508-BL	M5*8 Hexagon Round Head Screw	
S3	80763612-BL	M6*12 Hexagon Round Head Screw	
S4	80763816-BL	M8*16 Hexagon Round Head Screw	

# 5.Controller front cover

HP-1620F-T



## 5.Controller front cover

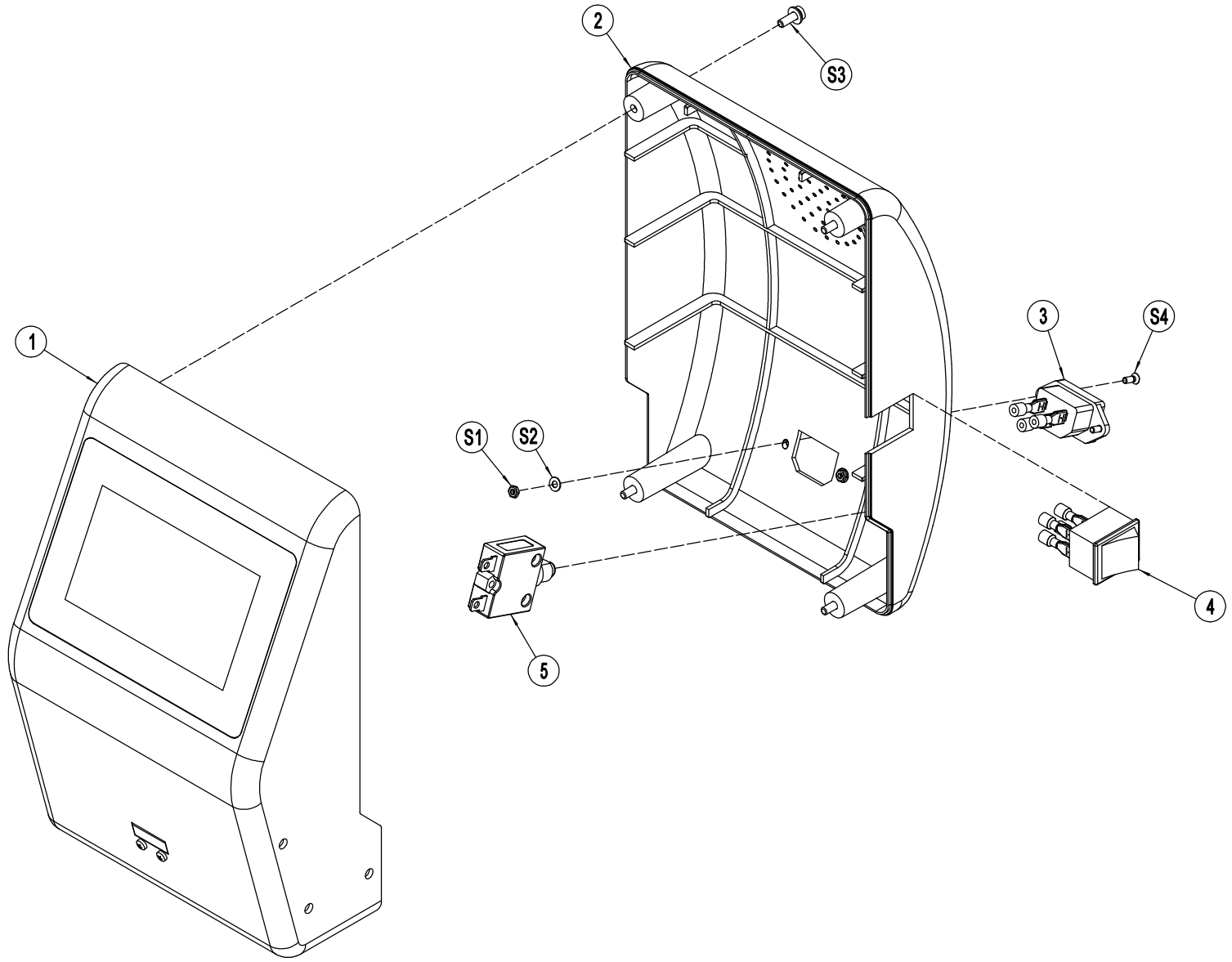
HP-1620F-T

No.	Serial No.	Part Name	Remark
1	5010100104	Circuit Board -V1	
2	5010100107	Circuit Board Mounting Plate	
3	5010100106	Screen Bracket	
4	5010100103	5 Inch Touch Panel -V1	
5	5010100105	Screen Protector -01	
6	5010100101	Touch Panel Front Cover	
7	80333620-250	Magnetic Switch GPS-23L - 250	

No.	Serial No.	Part Name	Remark
S1	80742308	M3*8 Flange Phillips Round Head Screw	
S2	80746408	M4*8 Phillips Round Head Screw	
S3	80900501	Flat Cushion M5	
S4	80900518	Elastic Cushion M5	
S5	80900528	Nut M5	
S6	80742306	M3*6 Flange Phillips Round Head Screw	

# 6.Controller rear cover

HP-1620F-T



# 6.Controller rear cover

HP-1620F-T

No.	Serial No.	Part Name	Remark
1	5010100101	Touch Panel Front Cover	
2	5010100102	Touch Panel Rear Cover	
3	80380802	AC Plug	
4	80380901	Switch	
5	803804018	Electric Current Overload Protector 18A	

No.	Serial No.	Part Name	Remark
S1	80900328	Nut M3	
S2	80900308	Flat Cushion M3	
S3	80740450-12	M4*12 Philips Head Screw	
S4	80860329	M3*10 Phillips Flat Head Screw	







Copyright © RiCOMA ( HuiZhou ) Co., Ltd. All rights reserved.