



MT Series

PARTS

BOOK

Version:11000V3

THINK BEYOND

INDEX

01.Machine Body and Covers-MT1

3

02.Machine Body and Covers-MT2

5

03.Machine Stand-MT

7

04.Main Shaft-MT

9

05.Lower Shaft Arm-MT

11

06.Machine Head

13

07.Needle Bar Case

17

08.Color Change System-MT

21

09.Trimming-MT1

25

10.Trimming-MT2

27

11.Y Axis Drive-I

29

12.Y Axis Drive-II

31

13.X Axis Drive-MT1

33

14.X Axis Drive-MT2

35

15.Spool Plate and Thread Stand-MT

37

16.Thread Tension Base

39

17.Electronic Components-7S

43

18.Electronic Components-8S

46

19.Frames and Bracket

49

20.Cap Driver-MT

51

21.Flat Embroidery Table

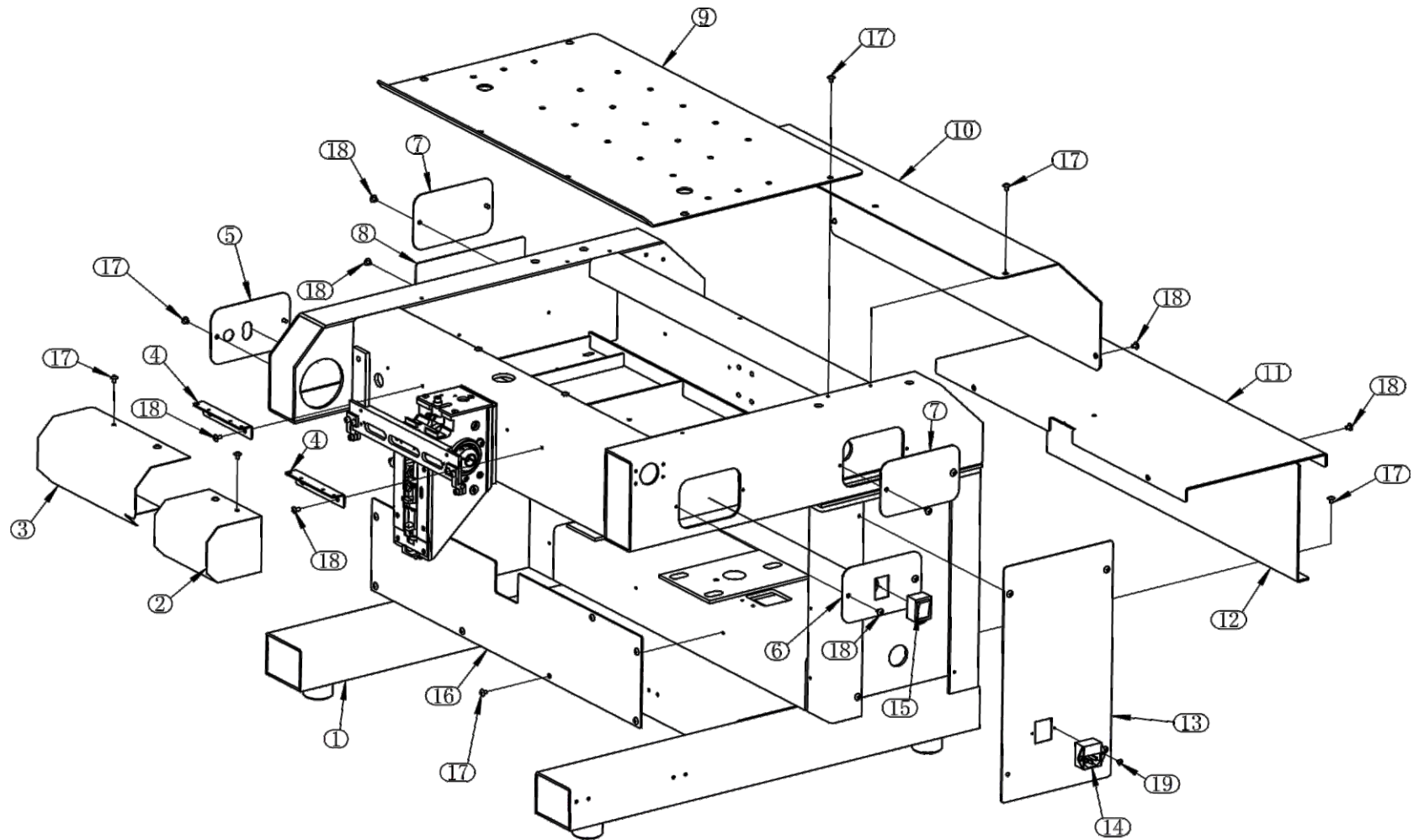
53

22.Extension Table MT-4814-1

55

01.Machine Body and Covers-MT1

11010V3



01.Machine Body and Covers-MT1

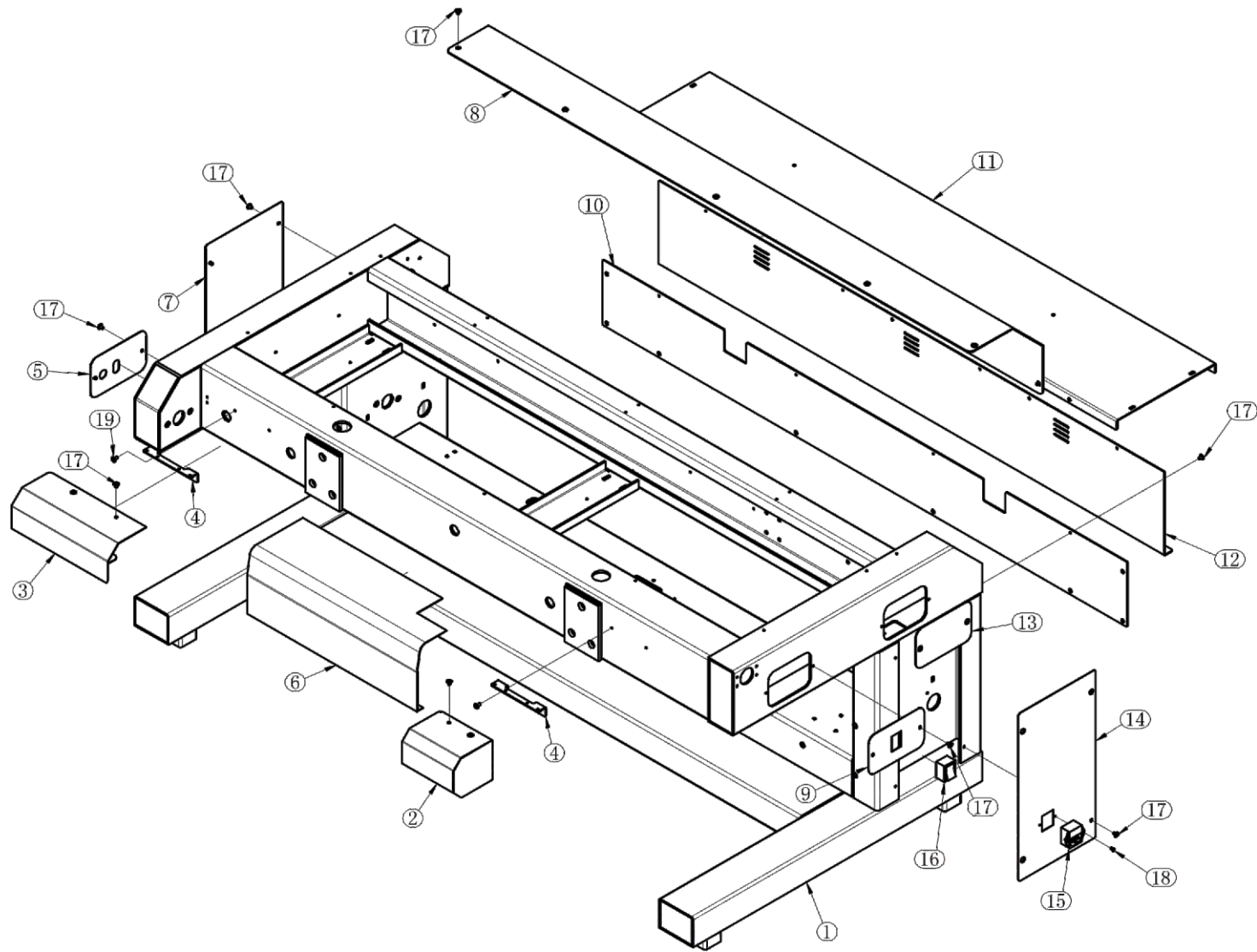
11010V3

No.	Serial No.	Part name	Remark
1	3011100101	Upper Rack-MT-1T	
2	3011100312	Upper Shaft Housing-MT-R	
3	3011100311	Upper Shaft Housing-MT-L	
4	3011100310	Bracket-Upper Shaft Housing-MT	
5	3011100304	Upper Cover At Rack Side B-MT	
6	3011100305	Upper Cover At Rack Side C-MT	
7	3011100303	Upper Cover At Rack Side A-MT	
8	3011100302	Cover At Both Sides Of Rack-MT	
9	3011101101	Thread Plate-MT-1T-12	
9	3011101111	Thread Plate-MT-1T-15	
9	3011101103	Thread Plate-MT-1T-20	

No.	Serial No.	Part name	Remark
10	3011101301	Rear Upper Cover -MT-1T	
11	3011101201	TUpper Cover-Shuttle Box-MT-1T	
12	3011101401	Rear Vertical Cover-MT-1	
13	3011100301AA	Cover At Both Sides Of Rack-Power Supply-MT	
14	03150602	Power Connection Socket	
15	03150603	Power Switch	
16	3011101501	Lower Coverof Shuttle Box-MT-1T	
17	80746406	Screw M4*6	
18	80746408	Screw M4*8	
19	80860326	M3*6 Flat Head Philips Screw	

02.Machine Body and Covers-MT2

11020V3



02.Machine Body and Covers-MT2

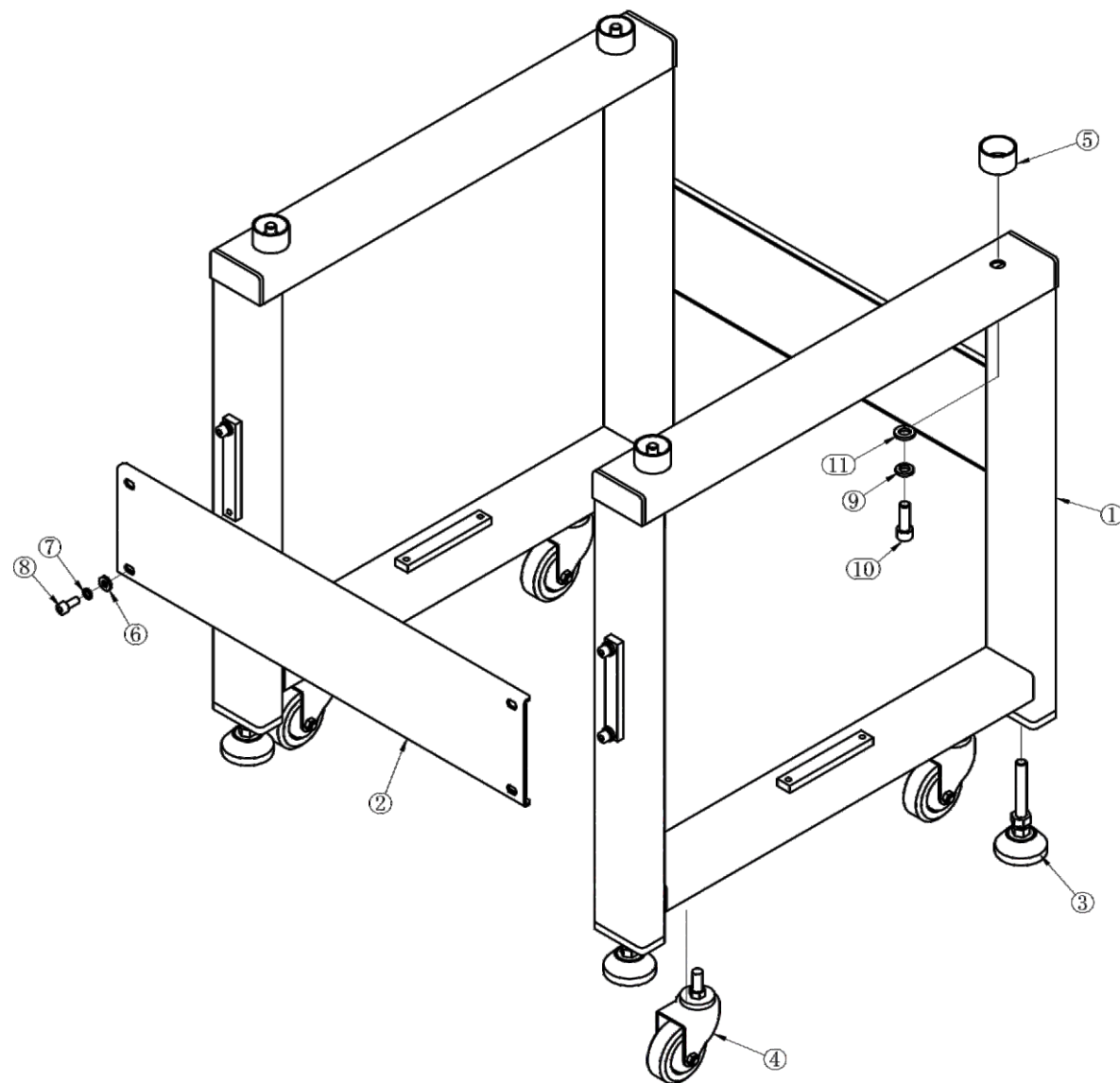
11020V3

No.	Serial No.	Part name	Remark
1	3011100102	Upper Rack-MT-2T	
2	3011100312	Upper Shaft Housing-MT-R	
3	3011100311	Upper Shaft Housing-MT-L	
4	3011100310	Bracket-Upper Shaft Housing-MT	
5	3011100304	Upper Cover At Rack Side B-MT	
6	3011100331	Needle Bar Case Cover-C12-605	
6	3011100332	Needle Bar Case Cover-C15-605	
6	3011100333	Needle Bar Case Cover-C20-605	
7	3011100302	Cover At Both Sides Of Rack-MT	
8	3011101302	Rear Upper Cover -MT-2T	
9	3011100305	Upper Cover At Rack Side C-MT	

No.	Serial No.	Part name	Remark
10	3011101502	Lower Cover Of Shuttle Box-MT-2T	
11	3011101202	Upper Cover-Shuttle Box-MT-2T	
12	3011101402	Rear Vertical Cover-MT-2T	
13	3011100303	Upper Cover At Rack Side A-MT	
14	3011100301AA	Cover At Both Sides Of Rack-Power Supply-MT	
15	03150602	Power Connection Socket	
16	03150603	Power Switch	
17	80746408	Screw M4*8	
18	80860326	M3*6 Flat Head Philips Screw	
19	80742305	Flanged Semi-Circular Cross-M3X5	

03.Machine Stand-MT

11030V3



03.Machine Stand-MT

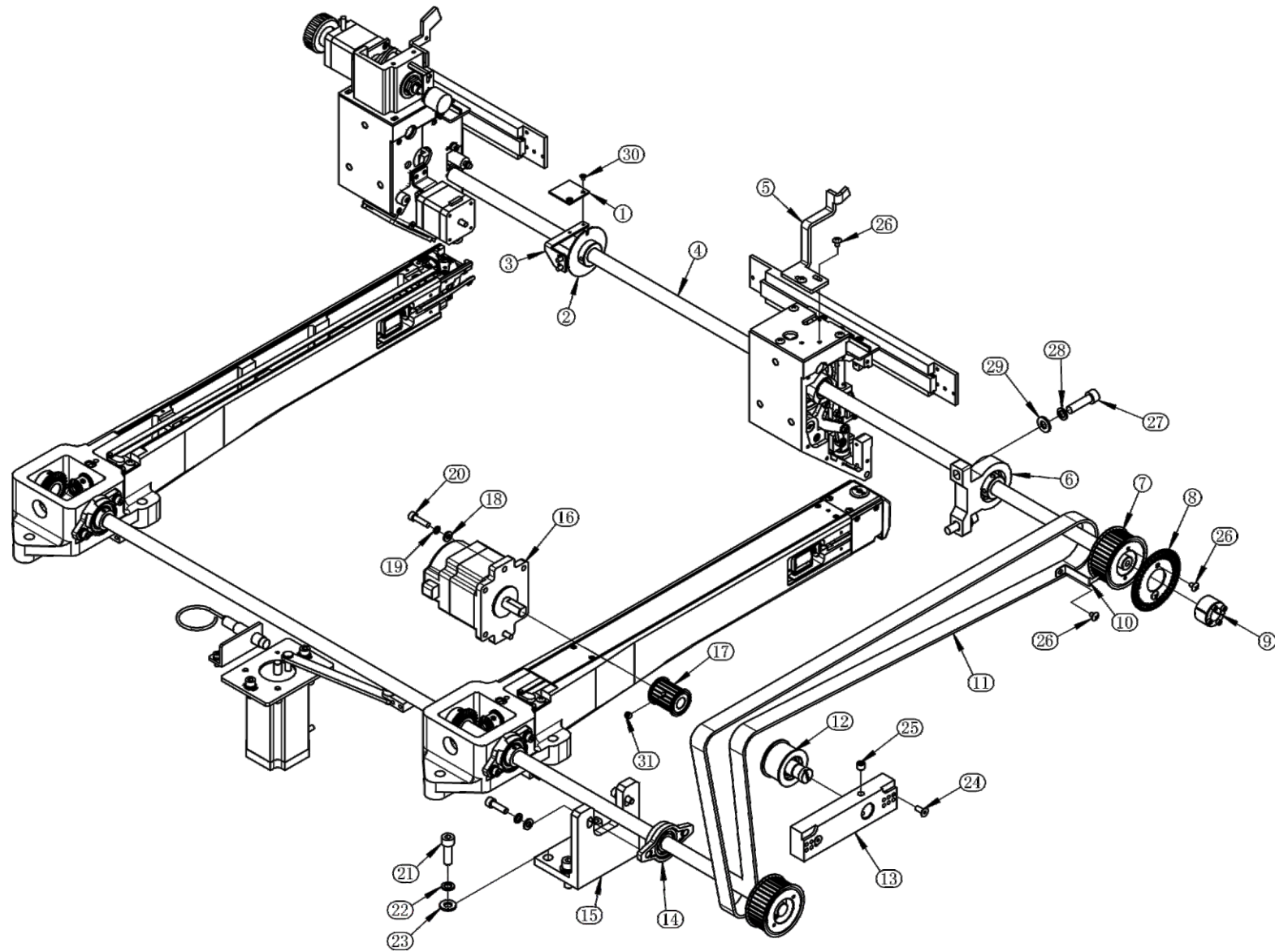
11030V3

No.	Serial No.	Part name	Remark
1	3011100222	Side Beam-Lower Machine Frame-MT-2T	
2	3011100201	Connecting Plate-Lower Rack-1T	
2	3011100202	Connecting Plate-Lower Rack-2T	
3	80270912	Universal Feet-Anti-Skiding Rubber-D60-M12X100	
4	80270501	Screw Lever Truckle-65M12	
5	3011100121	Rubber Foot Cover-40	

No.	Serial No.	Part name	Remark
6	3011100222	M8 Flat Cushion-Nickle-Plate	
7	3011100201	M8 Spring Shim-Stainless Steel	
8	3011100202	Hexagon Socket Head Cap Screw M8X20- Black	
9	80270912	M12 Spring Cushion-Black	
10	80270501	M12X40 Hexagon Socket Head	
11	3011100121	M12 Thick Flat Cushion- Nickel-Plated	

04.Main Shaft-MT

11040V3



04.Main Shaft-MT

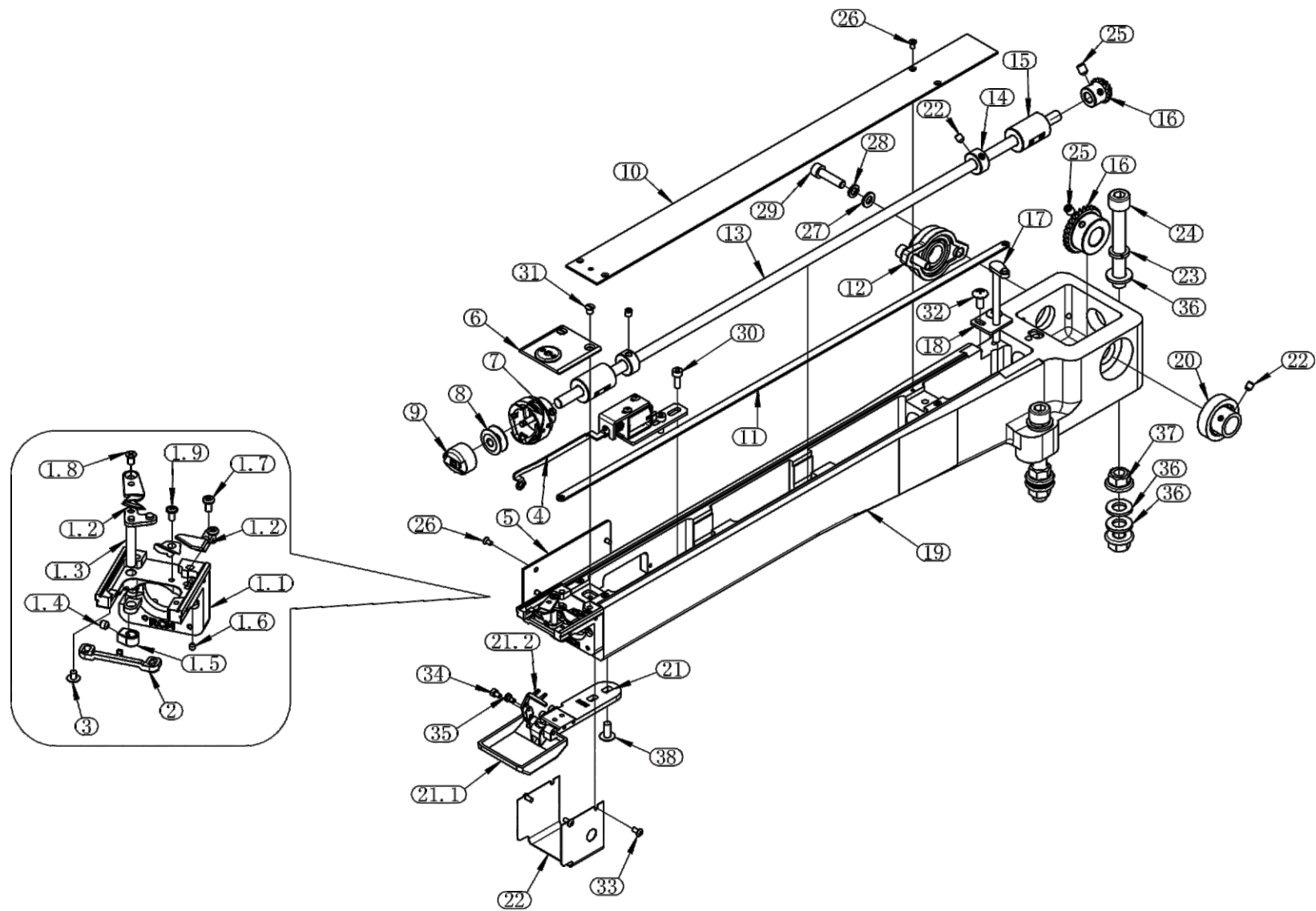
11040V3

No.	Serial No.	Part name	Remark
1	03150810MT	Zero Position Sensor-MT	
2	03041207	Zero Position Baffle	
3	03041208	Zero Postion Sensor Bracket	
4	3011206001	Upper Shaft 15-390	
4	3011206002	Upper Shaft 15-995	
5	01293850	Thread Break Detection Sensor Bracket-MT2	
6	02311181	Bearing Base 42-H45	
7	3011200192VA	Timing Belt-Upper Below Shaft-MT	
8	3011200130	Dial-MT	
9	80031544	Clamping Sleeve -Za-15*28	
10	3011200131	Dial Pointer-MT	
11	80025152	Synchronous Belt 5M-20-1690	
12	3011200160	Eccentric Wheel Assembly-MT-Up And Down Movement	
13	3011200101	Spindle Tensioning Wheel Support	
14	01400660	Trimming Box Bearing Assembly-SY	
15	3011201101	Bearing Base-MT-Lower Shaft	
16	80310701BC	Main Motor-70Sf3A60	

No.	Serial No.	Part name	Remark
16	80310721VA	Servo Motor - 70SFA90-330-1000Z-01	
17	3011200193AA	Timing Belt-Main Motor-MT1-M	
17	3011200193VA	Timing Belt-Main Motor-MT	
18	80900501	M5 Plain Washer	
19	80900513	M5 Spring Cushion-Black	
20	80810516	M5X16 Hexagon Socket Head-Black	
21	80810825	Hexagon Socket Head Cap Screw M8X25- Black	
22	80900813	M8 Spring Washer	
23	80900802	M8 Flat Cushion-Nickle-Plate	
24	80866512	Screw M5X12	
25	80880808	Hexagon Socket Set Screw M8X8	
26	80746408	Screw M4*8	
27	80810830	M8X30 Hexagon Cap	
28	80900813	M8 Spring Washer	
29	80900802	M8 Flat Cushion-Nickle-Plate	
30	80742305	Flanged Semi-Circular Cross-M3X5	

05.Lower Shaft Arm-MT

11050V3



05.Lower Shaft Arm-MT

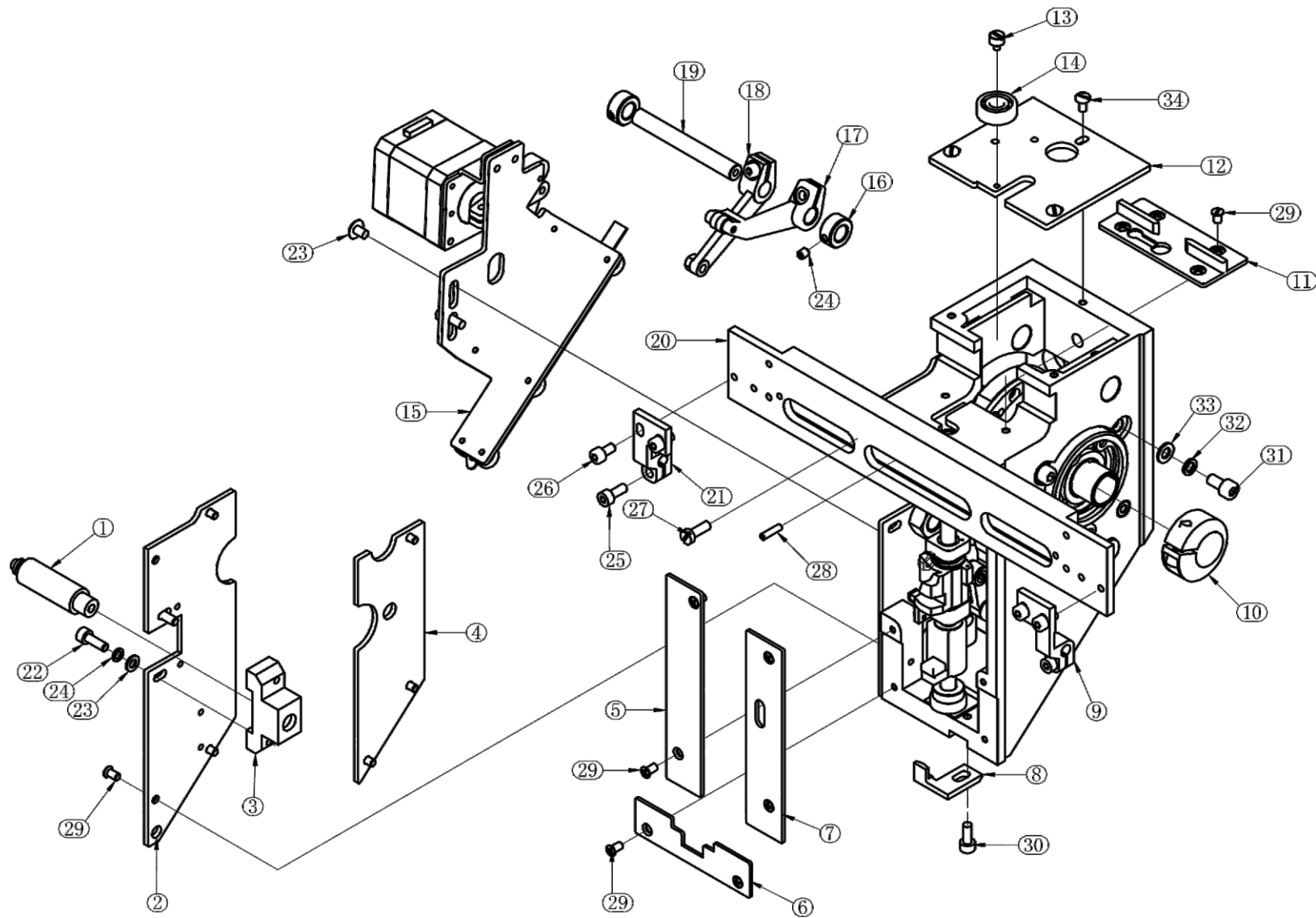
11050V3

No.	Serial No.	Part name	Remark
1	02101660	Needle Plate Base Assembly-SR-C	
1.1	02101601	Needle Plate Base-SR-C	
1.2	02101282	Scissors Kit	
1.3	02010667	Movable Knife Driving Rod Component-SY	
1.4	80880404	M4X4 Screw	
1.5	03021232	Movable Knife Driving Rod Chuck	
1.6	80880304	Hexagon Socket Set Screw M3X4- Black	
1.7	80740306	Screw M3*6-Small Head Philips	
1.8	80860326	M3*6 Flat Head Philips Screw	
1.9	80742304	M3X4 Screw	
2	03021322	Rotary Position Hook	
3	80740306	Screw M3*6-Small Head Philips	
4	02010665	Wire Grip Electromagnet Component Of Small Shuttle Box	
5	02010621	Picker Side Cover Plate - SY	
6	02101611VA	Needle Plate -SR-C-H	
7	80620291	Rotary Hook-KHS12-RYP	
8	80620302	Bobbin	
9	80620301	Bobbin Case	
10	3011150113	Upper Cover-Shuttle Box-MT	
11	3011150132	Rotary Hook Shaft-MT-541	
12	80039011	Bearing Ufl002	
13	3011150141	Trimming Pull Rod-MT	
14	02010633	Baffle Ring Of Rotating Shuttle Box - SY	
15	02101131	Lower Shaft Arm Shaft Sleeve	
16	01030133	"Bevel Gear Kit"	

No.	Serial No.	Part name	Remark
17	3011150140	Trimming Rotating Rod-Shuttle Box-MT	
18	3011150146	Mounting Plate-Trimming Driving Bar-MT	
19	3011150102	Iron Casting Shuttle Box-MT	
20	80031522	Bearing-60/15-15*35*19	
21	02101661	Picker Assembly-SR-C	
21.1	02101622	Front Cover-SR-C	
21.2	02010624	Picker-SY	
22	80880405	M4*5 Hexagon Socket Set Screw	
23	80901013	M10 Spring Cushion-Black	
24	80901031	Flange Nut M10	
25	80880608	M6X8 Hexagon Socket Set-Black	
26	80860326	M3*6 Flat Head Philips Screw	
27	80900601	M6 Plain Washer	
28	80900613	M6 Spring Washer - Black	
29	80810625	M6X25 Cylinder Head Hexagon - Black	
30	80810412	M4X12 Cylinder Head Hexagon - Black	
31	80924131	Counter Bore Slotted Screw 11/64 X 6	
32	80746408	Screw M4*8	
33	80746304	Screw M3*4	
34	80810306	M3X6 Cylinder Head Hexagon - Black	
35	02010625	Picker Rod Screw-SY	
36	80901002	Flat Washer M10	
37	80901031	Flange Nut M10	
38	80746512	M5X12 Screw	

06.Machine Head-I

11061V3



06.Machine Head-I

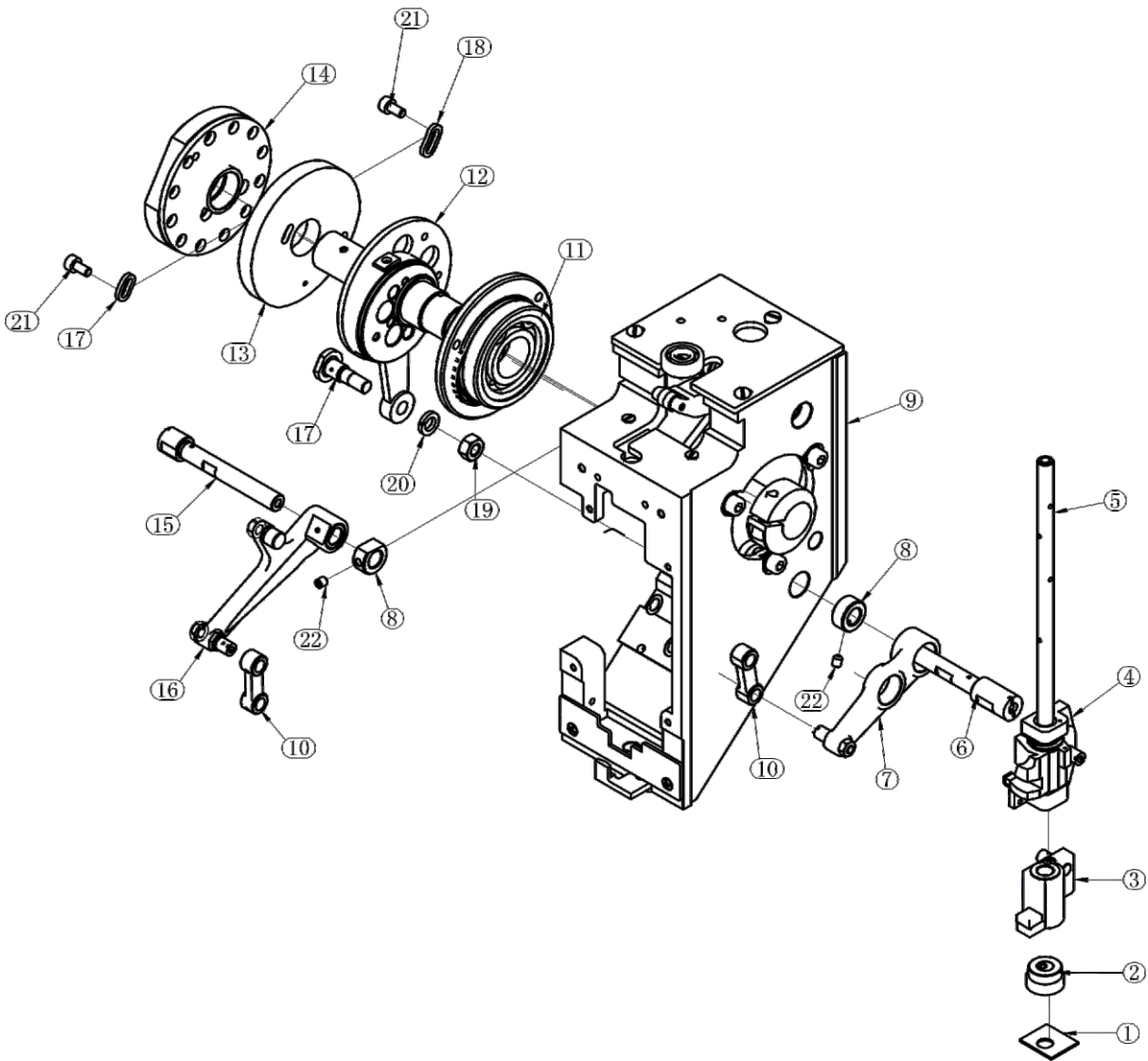
11061V3

No.	Serial No.	Part name	Remark
1	80320201	Jumping Solenoid	
2	01211010	High-Speed Head Plate B - Solenoid	
3	01212502	Jumping Solenoid Base – High Speed	
4	01211009	High-Speed Head Plate A	
5	01211008	Front Left Cover Plate Of Machine Head-Electromagnet	
6	01211011	Front Lower Cover Plate - High Speed Head	
7	01211007	Front Right Cover Plate Of Machine Head	
8	01210121	Positioning Hook Of Needle Bar Case	
9	01213130	Color Changing Support Chuck – R – High Speed Head	
10	01201105	Cam Clip Bushing	
11	01213308	Take-Up-Lever Guide Plate – Aluminum 104	
12	01211060	Upper Cover Plate (With Tripping Bearing)	
13	01211012	Color Changing Bearing Pin -LH	
14	80030822	Ball Bearing 19-8-6	
15	01431281	Thread Hooking Device-Step-Wide Machine Head	
16	01202204	Baffle	
17	01212165	Thread Take-Up Connecting Rod Assembly B	
18	01212163	Thread Take-Up Connecting Rod Assembly A	

No.	Serial No.	Part name	Remark
19	01212307	Thread Take-Up Connecting Rod Pin shaft $\Phi 8 \times 65$	
20	80013121	Bead Frame Guide Rail–12 Needles (-251/205)	
20	80013122	Bead Frame Guide Rail–15 Needles (-303/250)	
21	01213131	Color Changing Support Chuck – L – High Speed Head	
22	80810310	M3X10 Cylinder Head Hexagon - Black	
23	80746406	Screw M4*6	
24	80880505	Hexagon Socket Set Screw M5×5-Black	
25	80810410	M4*10 Hexagon Socket Caphead Screw	
26	80810408	M4X8 Screw	
27	80924114	11/64X12 Flat Head Screw - Black	
28	80685134	Spring Pin-Black	
29	80924121	9/64X6 Screw	
30	80810410	M4*10 Hexagon Socket Caphead Screw	
31	80810510	M5X10 Cylinder Head Hexagon - Black	
32	80900513	M5 Spring Cushion-Black	
33	80900501	M5 Plain Washer	
34	80924102	Cheese Head Slotted Screw 9/64X8 - Black	

06.Machine Head-II

11062V3



06.Machine Head-II

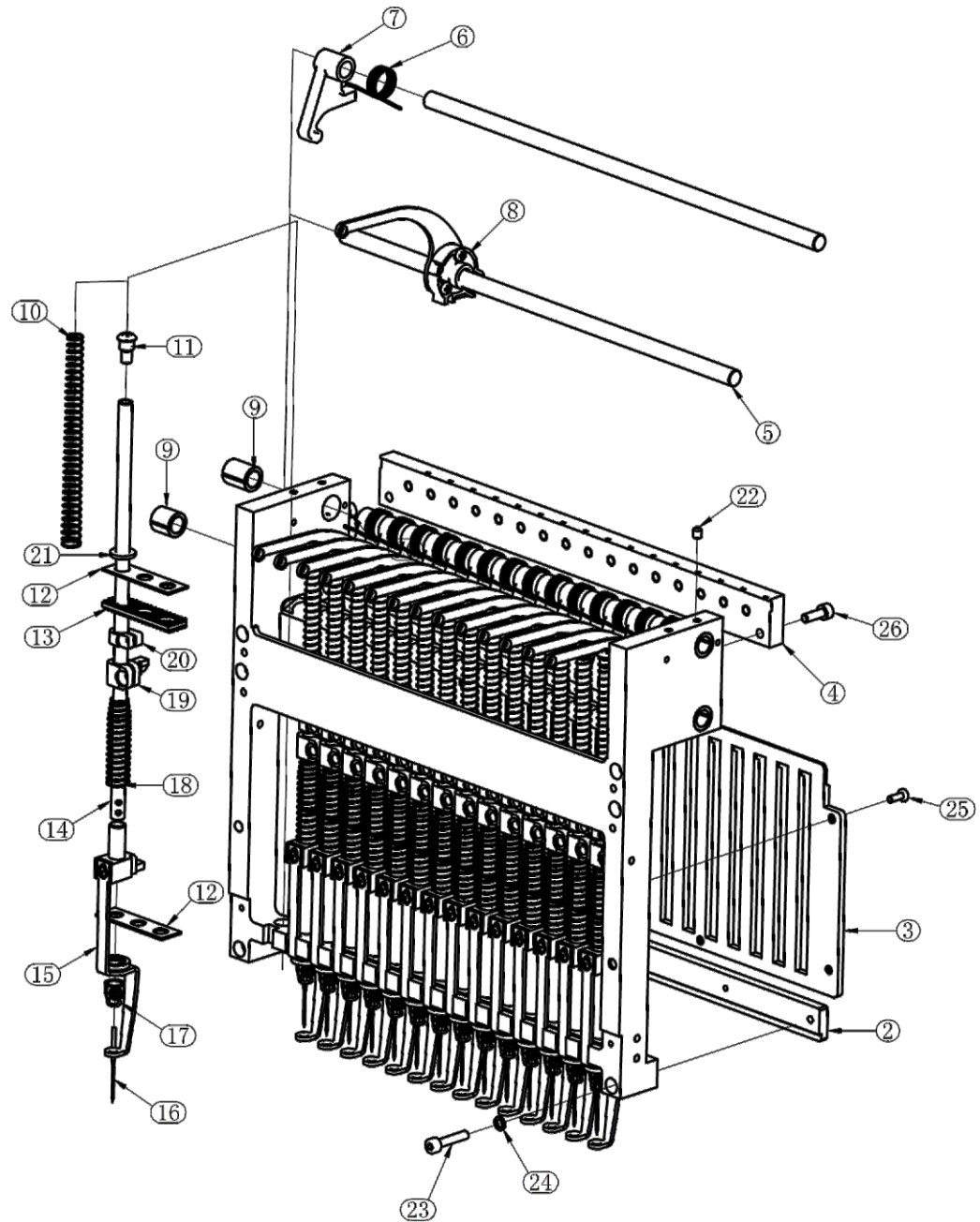
11062V3

No.	Serial No.	Part name	Remark
1	01212310	Felt Pad-High Speed Head	
2	01202291	Collapsible Set	
3	01212260DX	Presser Foot Driving Block Assembly-DX	
4	01212073	Needle Bar Reciprocator-H-S-DY	
5	01212306	Head Driving Shaft- High Speed Head	
6	01212305	Three-Eye Rod Pin-Double Cam	
7	01212161DX	Three-Eye Connecting Rod Assembly - High Speed	
8	01202204	Baffle	
9	01210101DX	High Speed Head Box	
10	01212109	Connecting Rod-High Speed Head	
11	01201160	Bearing Base-6004 Bearing	

No.	Serial No.	Part name	Remark
12	01212464	Large Connecting Rod-4Pcs-15 Shafts	
13	01212404DY	Thread-Taking-Up Nylon Cam-Single Cam And Double Driver-15 Shafts	
14	01212271	Presser Foot Cam + Al Ring + Al Base	
15	01212123	Presser Foot Driver Pin Shaft- Double Cam	
16	01212262	Presser Foot Rod-Double Cam	
17	01201302	Cam Washer A	
18	01201303	Cam Washer B	
19	80900628	Nut M6 - Stainless Steel	
20	80900601	M6 Plain Washer	
21	80810408	M4X8 Screw	
22	80880505	M4*5 Hexagon Socket Set Screw	

07.Needle Bar Case I

11071V3



07.Needle Bar Case I

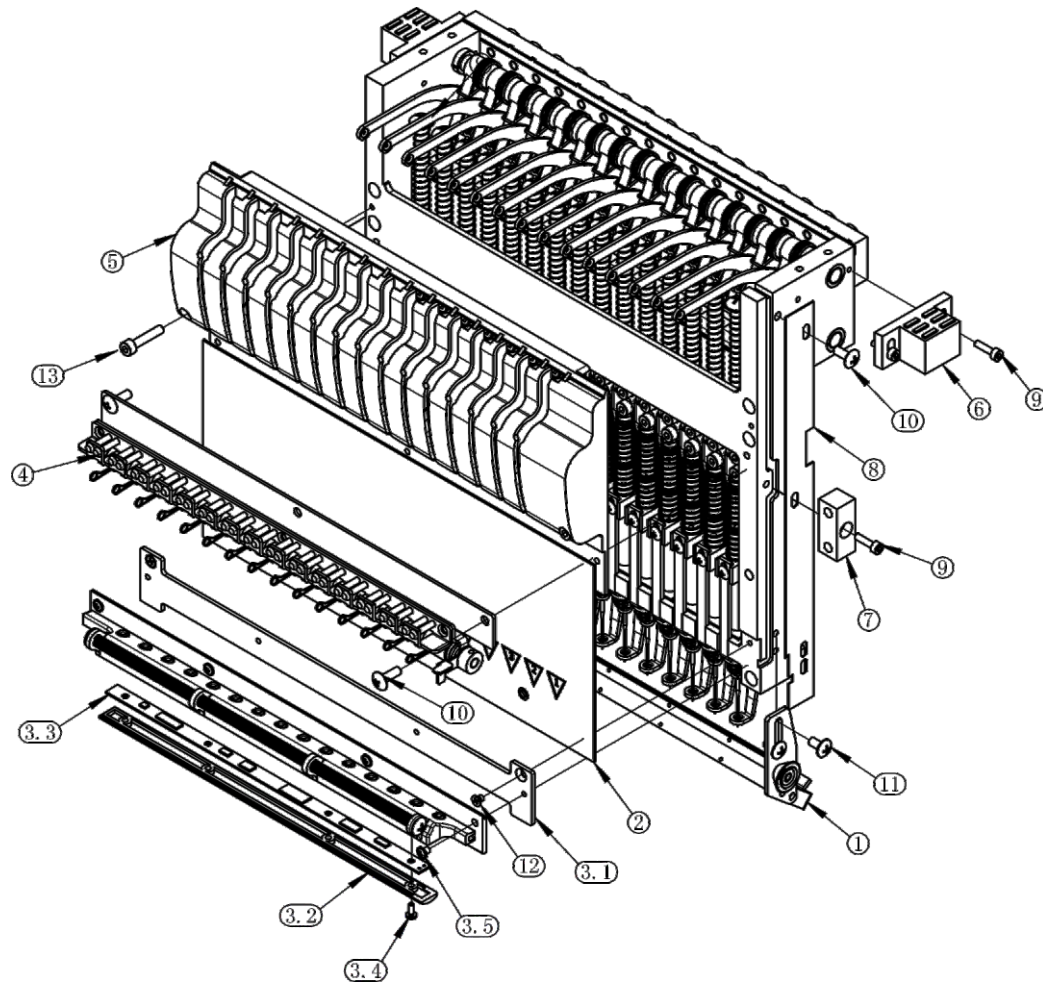
11071V3

No.	Serial No.	Part name	Remark
0	01213145	Needle Bar Case-CT-High-12	
1	01213103VB	Needle Bar Rack-CT-12 Needles	
2	01213115	Lower Guide Rail-12-High Speed	
3	03081301	Needle Bar Guide Plate-12	
4	03081212VA	Color Change Board-Shaft Style-12	
5	01221532	Take-Up Shaft - 12	
6	03081503	Fixed Block Torsional Spring	
7	01213312	Positioning Block Of Take-Up-Lever	
8	03081591	Take Up Lever Module	
9	03081506	Take-Up Shaft Block-12	
10	03080102	Needle Bar Spring-P	
11	03080102	Needle Bar Extended Screw	
12	01221606	3-Hole Felt-1	
13	01221605	3 Pore Cusion-Rubber	

No.	Serial No.	Part name	Remark
14	03080160	Needle Bar-217	
15	03080181	Adjustable Presser Foot with Bushing	
16	80621111	Needle-DBXK5-11	
17	01222194	Needle Clamp	
18	03080108	Presser Foot Spring-P	
19	01222106	Needle Bar Connecting Pin	
20	01222105	Upper Dead Point Clamp	
21	80900603	Flat Washer - M6	
22	80880405	M4*5 Hexagon Socket Set Screw	
23	80810420	M4X20 Cylinder Head Hexagon - Black	
24	80900413	M4 Spring Washer - Black	
25	80740308	Screw M4*8	
26	80810412	M4X12 Cylinder Head Hexagon - Black	

07.Needle Bar Case II

11072V3



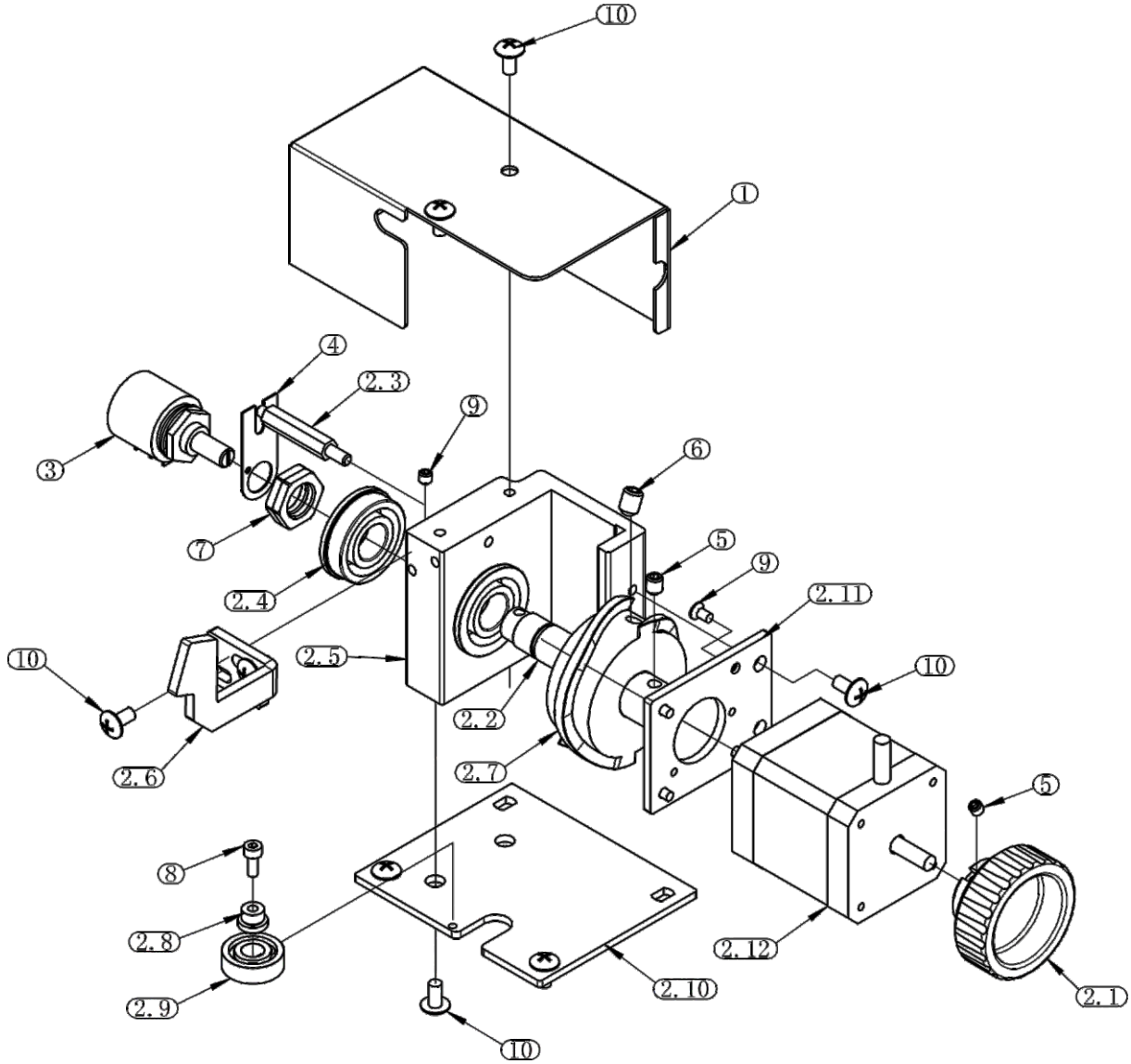
07.Needle Bar Case II

11072V3

No.	Serial No.	Part name	Remark
1	72100180-12	Thread Clamp-RD-12	
2	01221312	Logo Plate-LED-12 Needles-C/MT	
3	03096012	Lower Thread Course Component-LED-12	
3.2	03090412	Mounting Base-Lower Thread Course-LED-12	
3.3	03090212	Lighting Cover-Below Thread Guid-LED-12	
4	72012171-12	Middle Thread Course Assembly-12B	
5	72211112	Take-Up Cover With T Middle Thread Course-12 Needle	

No.	Serial No.	Part name	Remark
6	01227104	Door Stopper	
7	01227103	Magnetic Block-AI	
8	03090722	MT Side Plate-LED-2T	
9	80810312	M3X12 Cylinder Head Hexagon - Black	
10	80746304	Screw M3*4	
11	80746408	Screw M4*8	
12	80860326	M3*6 Flat Head Philips Screw	

08.Color Change System-MT



08.Color Change System-MT

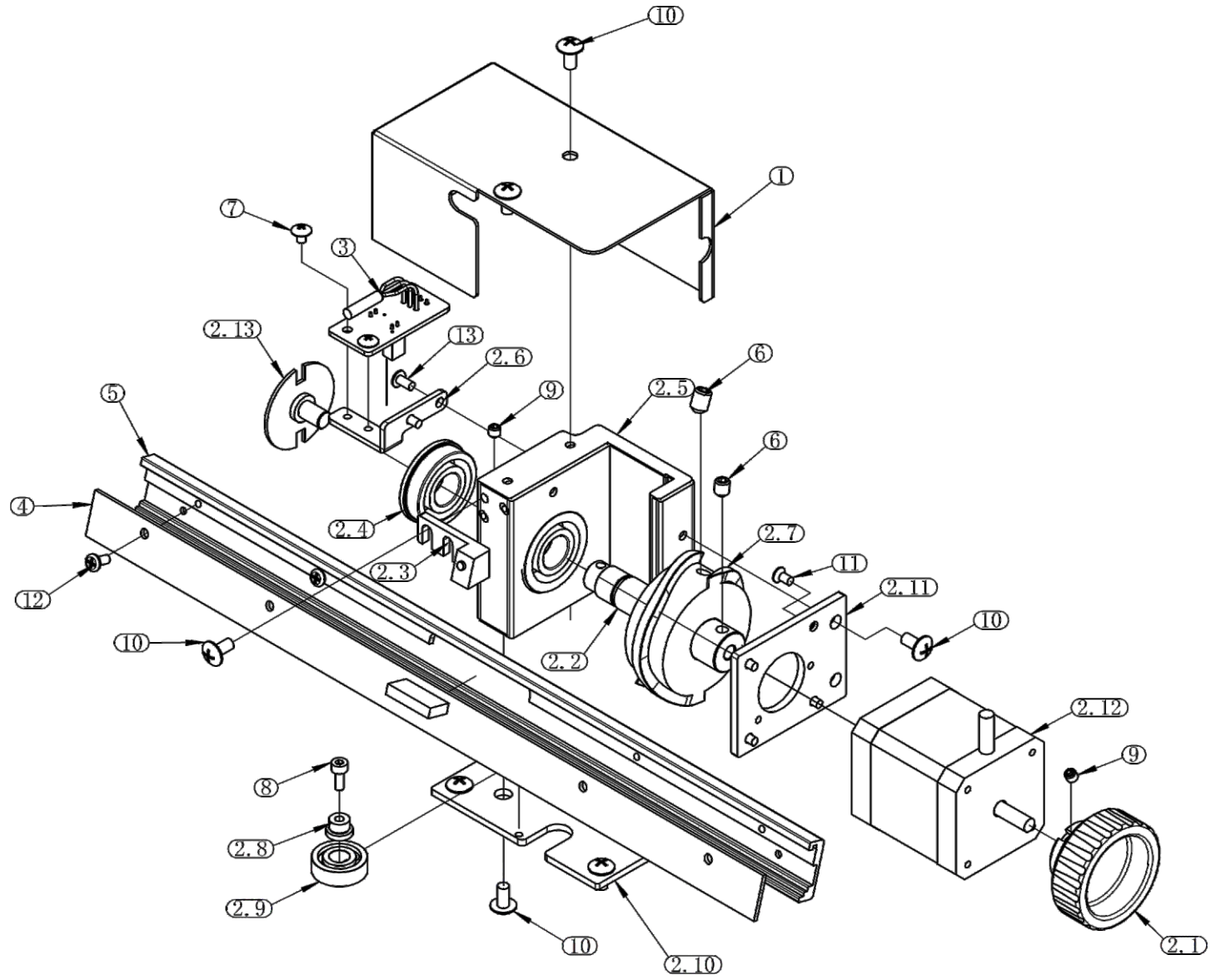
11081V3

No.	Serial No.	Part name	Remark
1	3011100341	Cover-Color Change-MT	
2	01293862VA	Stepping Motor42-Color Changing Component-High Speed	
2.1	03150833	Multi-Turn Potentiometer	
2.2	03040510	Potentiometer Support Plate	
2.3	03040509	Potentiometer Fixed Bolt	
2.4	80031224	Roller Bearing F 12 X 28 X 8	
2.5	01293827	Bearing Base-Cam	
2.6	01293851	Thread Break Detection Sensor Bracket	
2.7	01293813	Changing Color Cam-Double Rail-Steel	
2.8	01293840	Pin-Changing Color Bearing-MT	
2.9	80030722	19-7-6 Bearing	

No.	Serial No.	Part name	Remark
2.10	01211060	Upper Cover Plate (With Tripping Bearing)	
2.11	03040701	Head Board	
2.12	80304222	Stepping Motor 17H2059-12-6B	
2.13	03040511RA	Changing Color Handle	
2.14	01293832	Color Changing Cam Shaft - 42-1, 2 Heads	
3	80880405	M4*5 Hexagon Socket Set Screw	
4	80880406	M4*6 Hexagon Socket Set Screw	
5	80860328	M3X8 Screw	
6	80880404	M4X4 Screw	
7	01293836	Nut--M12X1X3	
8	80810308	M3X 8 Cylinder Head Hexagon - Black	

08.Color Change System-MT

11082V3



08.Color Change System-MT

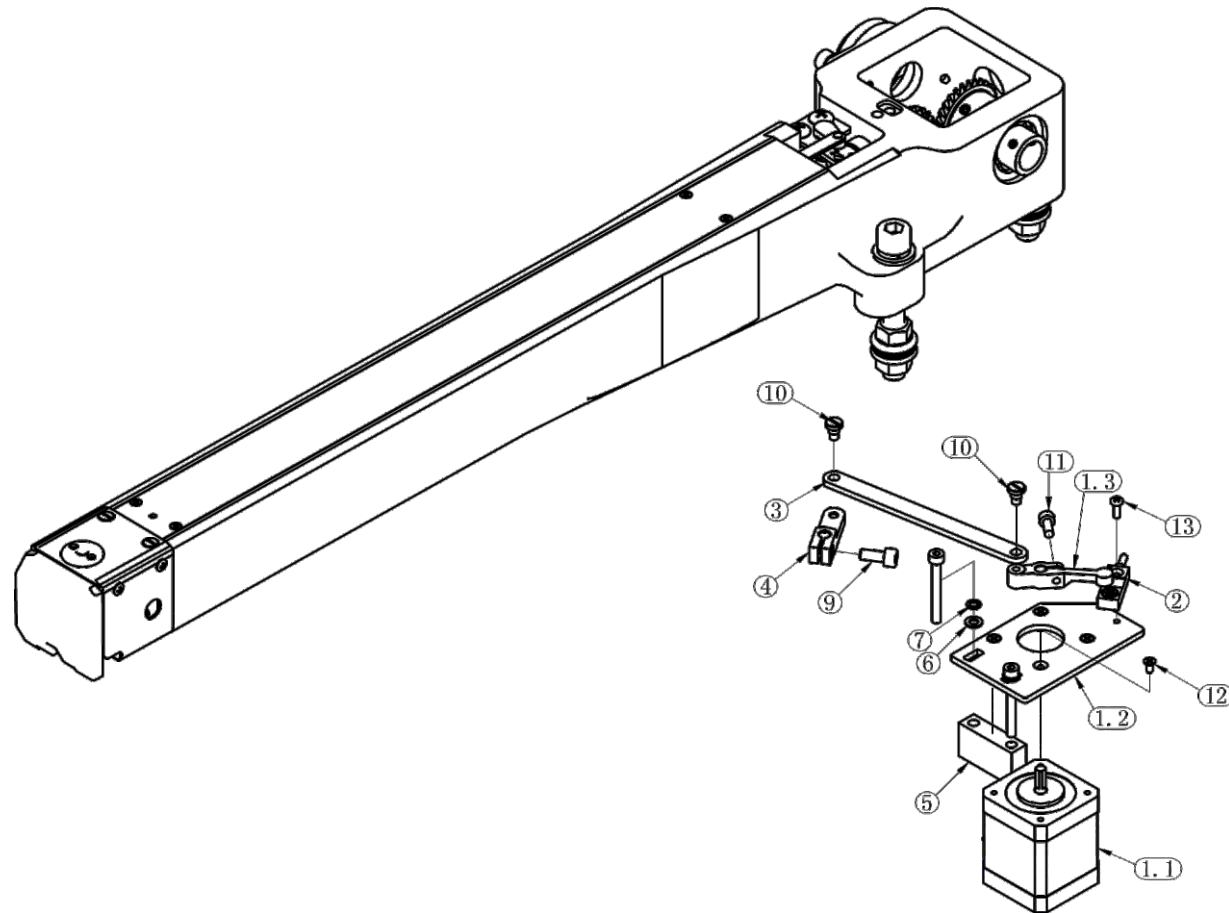
11082V3

No.	Serial No.	Part name	Remark
1	3011100341	Cover-Color Change-MT	
2	03040590	Changing Color Motor Unit	
2.1	03040511RA	Changing Color Handle	
2.2	01293832	Color Changing Cam Shaft - 42-1, 2 Heads	
2.3	03040543	Needle Position Magnet Base-Hall	
2.4	80031224	Roller Bearing F 12 X 28 X 8	
2.5	01293827	Bearing Base-Cam	
2.6	03040514	Sensor Bracket-Half Turn-20N	
2.7	01293813	Changing Color Cam-Double Rail-Steel	
2.8	01293840	Pin-Changing Color Bearing-MT	
2.9	80030722	19-7-6 Bearing	
2.10	01211060	Upper Cover Plate (With Tripping Bearing)	

No.	Serial No.	Part name	Remark
2.11	03040701	Head Board	
2.12	80304222	Stepping Motor 17H2059-12-6B	
2.13	03040515	Half Turn Baffle-20N	
3	3006152104A	Optocoupler Cable-Half Turn-Color Change	
4	03150834	Needle Position Detection Board-C-20N	
5	03150835	Mount Base-Needle Position Detection Board-20N	
6	80880405	M4*5 Hexagon Socket Set Screw	
7	80746304	Screw M3*4	
8	80810308	M3X 8 Cylinder Head Hexagon - Black	
9	80746306	Screw M3*6	
10	80746408	Screw M4*8	
11	80860328	M3X8 Screw	

09.Trimming-MT1

11090V3



09.Trimming-MT1

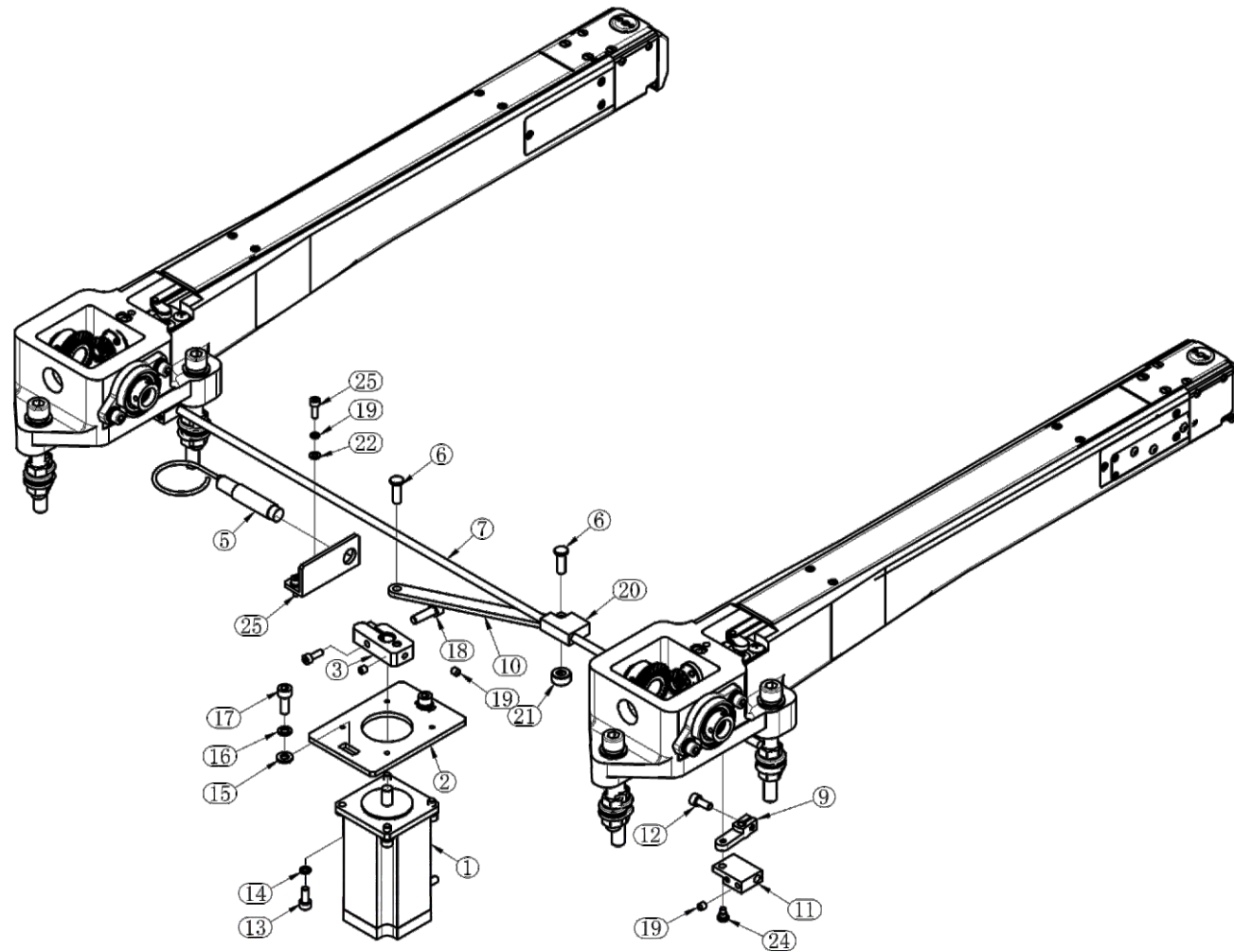
11090V3

No.	Serial No.	Part name	Remark
1	03021281	Trimming Motor Base-Assembly	
1.1	80304213	Trimming Motor42BYGH5201-01	
1.2	03022206	Trimming Motor Board	
1.3	03021213	Trimming Motor Driving Arm-P	
2	03154454	Micro Proximity Switch-MT1	
3	3011150143	Trimming Linkage-MT1-Distance Between Holes 106	
4	01400311	Moving Cutter Rod Chuck	
5	3011150208	Trimming Cushion Block-MT-1T	

No.	Serial No.	Part name	Remark
6	80900401	M4 Plain Washer	
7	80900413	M4 Spring Washer - Black	
8	80810435	Cylinder Head Hexagon - Black M4X35	
9	80810512	Hexagon Socket Head Cap Screw M5X12- Black	
10	80924211	M4X4-5X3.5 Screw	
11	80810410	M4*10 Hexagon Socket Caphead Screw	
12	80860326	M3*6 Flat Head Philips Screw	
13	80740308	Screw M3*8	

10.Trimming-MT2

11100V3



10.Trimming-MT2

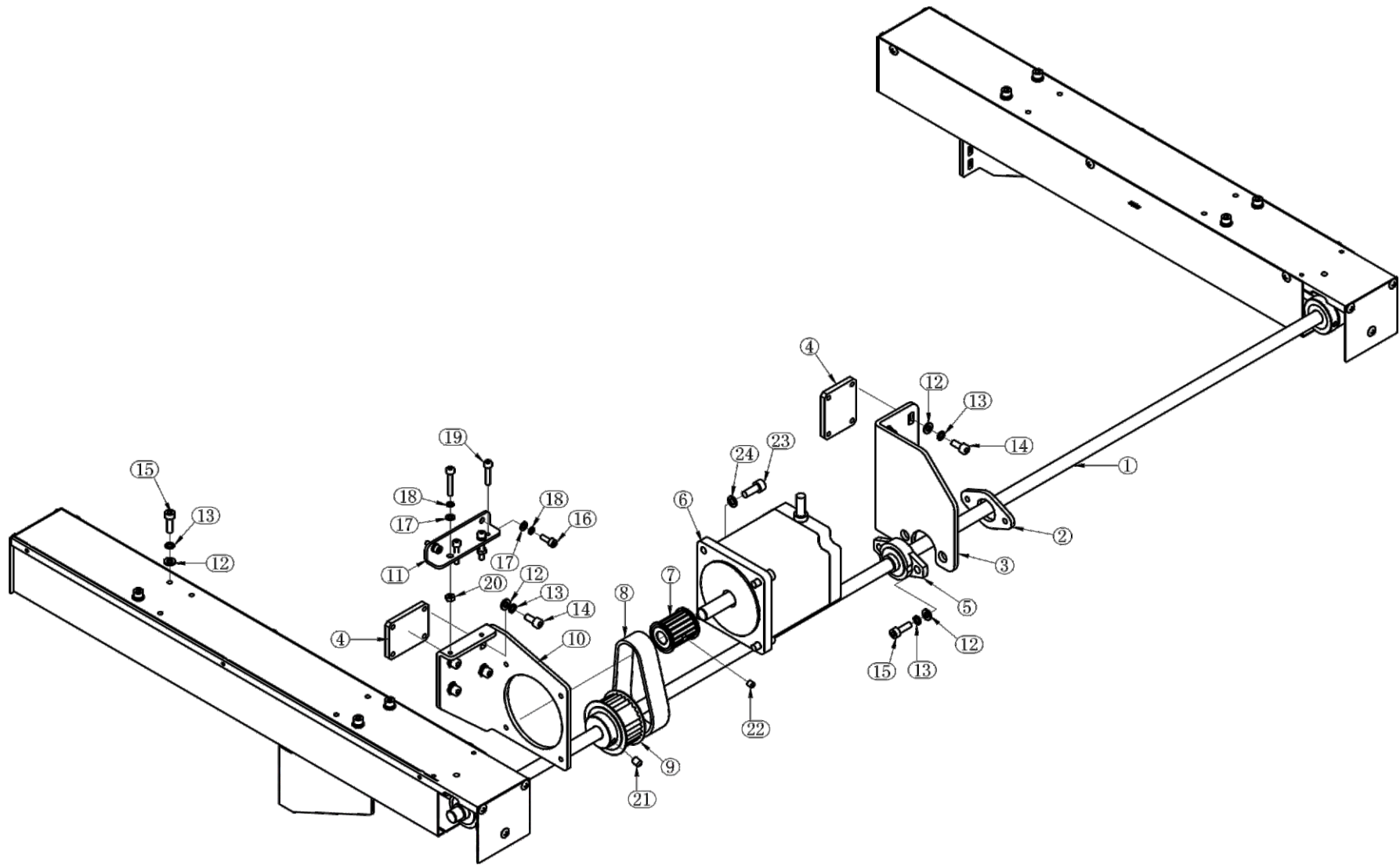
11100V3

No.	Serial No.	Part name	Remark
1	80305761	Hooking Motor 57BYGH80D10-15	
2	01400121	Trimming Motor Base - 57	
3	01400103	Thread Trimming Driving Arm	
4	01400105	Support Of Thread Trimming Proximity Switch	
5	03154453	Cylinder Proximity Switch NPN-MT2	
6	01400102	Thread Trimming Driving Arm Pin-20	
7	80030601	Pull Rod-2000	
8	01400109	Actuating Arm Connection Chuck	
9	01400311	Moving Cutter Rod Chuck	
10	3011150141	Trimming Pull Rod-MT	
11	01400109	Actuating Arm Connection Chuck	
12	80810510	M5X10 Cylinder Head Hexagon - Black	
13	80810512	Hexagon Socket Head Cap Screw M5X12- Black	

No.	Serial No.	Part name	Remark
14	80900513	M5 Spring Cushion-Black	
15	80900601	M6 Plain Washer	
16	80900613	M6 Spring Washer - Black	
17	80810616	M6X16 Hexagon Socket Head	
18	80810514	M5*14 Hexagon Socket Caphead Screw	
19	80880508	M5*8 Hexagon Socket Set Screw	
20	01400109MT	Rod Connecting Joint-MT	
21	01430509	Shaft Checking Ring-6	
22	80900401	M4 Plain Washer	
23	80810412	M4X12 Cylinder Head Hexagon - Black	
24	80924211	M4X4-5X3.5 Screw	
25	80810408	M4X8 Screw	

11.Y Axis Drive-I

11110V3



11.Y Axis Drive-I

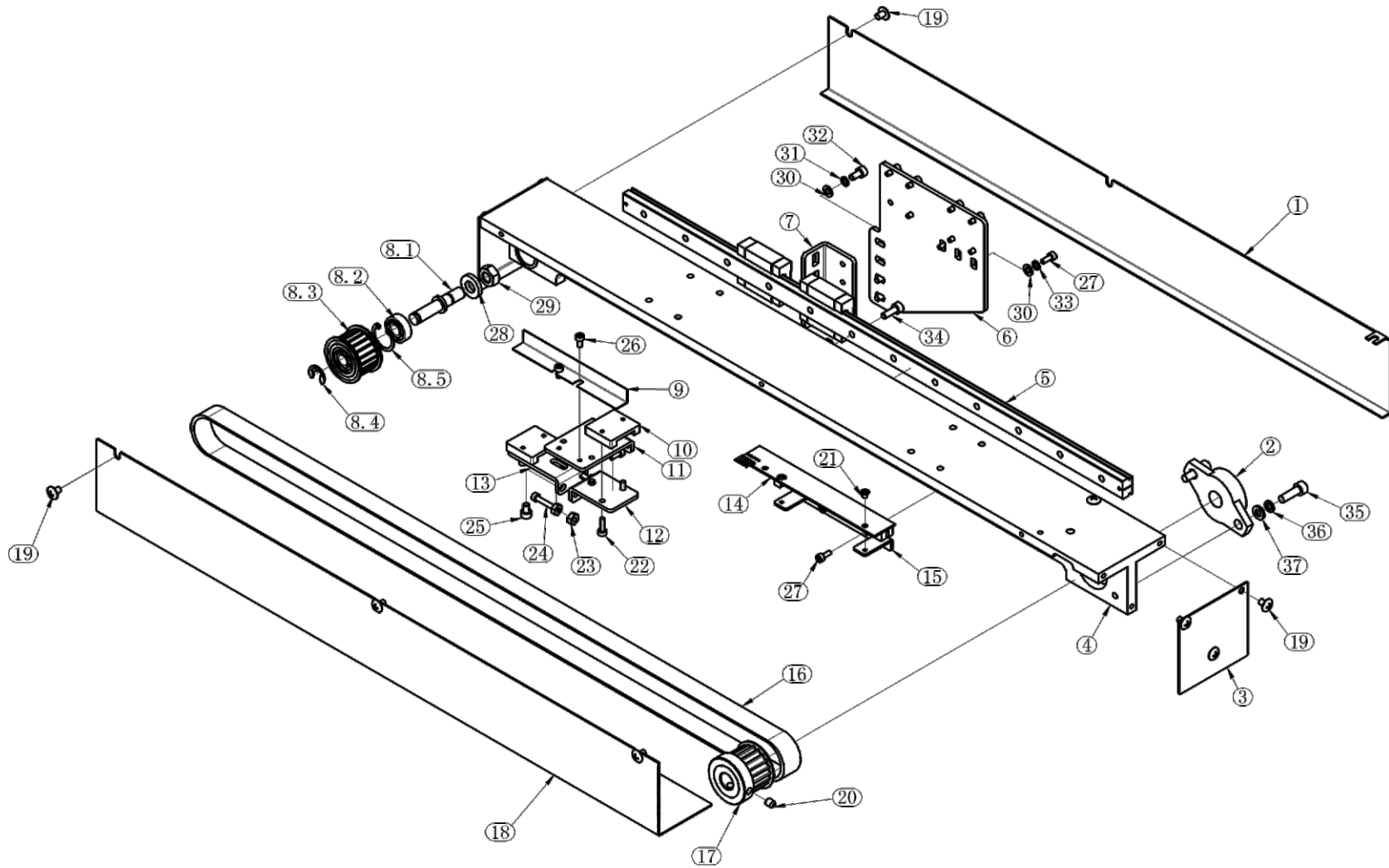
11110V3

No.	Serial No.	Part name	Remark
1	3011216002	Driving Shaft Y-MT-2T	
2	3011313102	Mounting Plate-Insert Bearing Housing-12	
3	3011212315	Bearing Block-Y Axis-MT-A	
4	3011212321	Mounting Plate-Support-3040	
5	80039010	Insert Bearing Ufl001-D12	
6	80308630	86BYG350 Motor	
7	3011200193	Synchronous Pulley-Spindle Motor-MT-M	
8	80025151	Synchronous Belt 5M-20-235	
9	3011212095	Synchronous Pulley-Transition-MT-Y	
10	3011212311	Motor Base-Y-MT-86	
11	3011212322	Tensioning Bracket-Y Motor-MT	
12	80900501	M5 Plain Washer	

No.	Serial No.	Part name	Remark
13	80900513	M5 Spring Cushion-Black	
14	80810516	M5X16 Hexagon Socket Head-Black	
15	80810514	M5*14 Hexagon Socket Caphead Screw	
16	80810412	M4X12 Cylinder Head Hexagon - Black	
17	80900401	M4 Plain Washer	
18	80900413	M4 Spring Washer - Black	
19	80810420	M4X20 Cylinder Head Hexagon - Black	
20	80900428	M4 Nut	
21	80880608	M6X8 Hexagon Socket Set-Black	
22	80880506	M5*6 Hexagon Socket Set Screw	
23	80810616	M6X16 Hexagon Socket Head	
24	80900613	M6 Spring Washer - Black	

12.Y Axis Drive-II

11120V3



12.Y Axis Drive-II

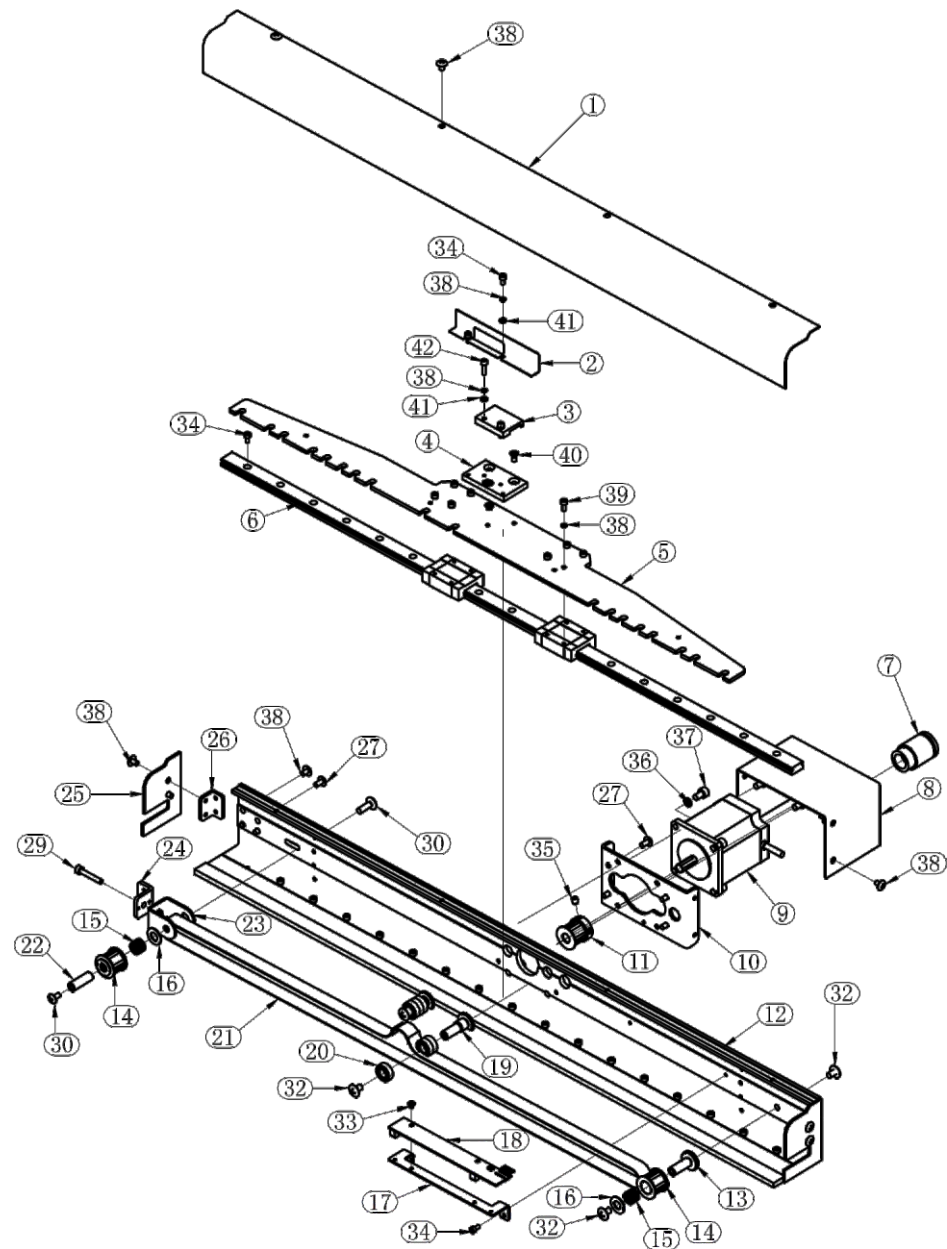
11120V3

No.	Serial No.	Part name	Remark
1	3011212008	0	
2	80039010	Insert Bearing Uf1001-D12	
3	3011212035	Front & Rear Cover Of Guide Rail-MT-A	
4	3011212001	Y Drive Guide Rail-MT-A	
5	8001510480	Linear Guide Rail-MT-Y	
6	3011212013	Mounting Plate-MT-XY Drive A	
7	3011212014	Mounting Plate-MT-XY Drive B	
8	3011212080	Driven Wheel Assembly-MT-Y	
8.1	3011212005VA	Passive Wheel Shaft-MT-Y	
8.2	80030822	Ball Bearing 19-8-6	
8.3	3011212093	Synchronous Pulley-Driven-MT-Y	
8.4	80030871	E Type Circlip 8-7	
8.5	80031981	Circlip 19	
9	3011212032	Limit Baffle-MT-A	
10	02512221	M5 Presser Plate	
11	3011212021	Guide Rail Connecting Piece-MT-Y	
12	3011212023	Belt Pressure Plate-MT-Y-B	
13	3011212022	Belt Pressure Plate-MT-Y-A	
14	03150820	Sensor Board-Limit Position	
15	3011212032	Limit Baffle-MT-A	
16	3011212097	Synchronous Belt-MT-Y	

No.	Serial No.	Part name	Remark
17	3011212092	Synchronous Pulley-Driving-MT-Y	
18	3011212003	Guide Rail Housing-Y-R	
19	80746408	Screw M4*8	
20	80880506	M5*6 Hexagon Socket Set Screw	
21	80742305	Flanged Semi-Circular Cross-M3X5	
22	80742305	Flanged Semi-Circular Cross-M3X5	
23	80900428	M4 Nut	
24	80810420	M4X20 Cylinder Head Hexagon - Black	
25	80810406	M4X6 Cylinder Head Hexagon - Black	
26	80810306	M3X6 Cylinder Head Hexagon - Black	
27	80810308	M3X 8 Cylinder Head Hexagon - Black	
28	80900801	M8 Plain Washer	
29	80900828	M8 Nut	
30	80900403	M4 Washer	
31	80900418	M4 Spring Washer	
32	80813408	M4*8 Hexagon Socket Caphead Screw	
33	80900313	M3 Spring Washer- Black	
34	80810412	M4X12 Cylinder Head Hexagon - Black	
35	80810516	M5X16 Hexagon Socket Head-Black	
36	80900513	M5 Spring Cushion-Black	
37	80900501	M5 Plain Washer	

13.X Axis Drive-MT1

11130V3



13.X Axis Drive-MT1

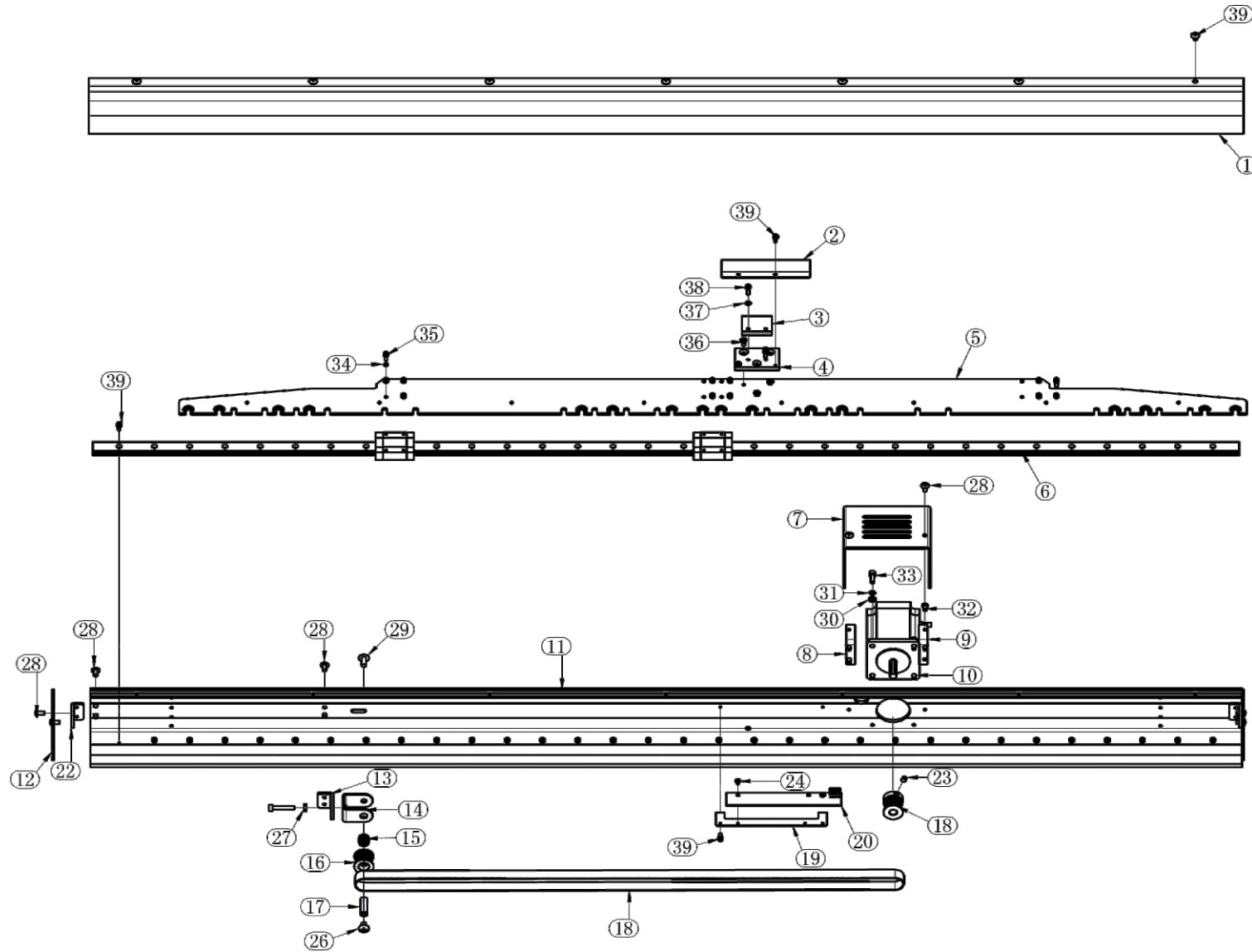
11130V3

No.	Serial No.	Part name	Remark
1	3011211102	Housing-Driving Frame-MT1-X	
2	03100112	Light Barrier-Stopper-X	
3	03100108	Belt Tension Platen	
4	03100104	Connection Pressing Platen	
5	3011211103	X Drive Connecting Plate-Flat Plate	
6	8001510690	Guide Rail BRH15-690	
7	80391011	Corrugated Nylon Pipe Joint AD13	
8	03100121	X Direction Motor Cover	
9	80306001	Motor DT-X 60BYG350	
10	3011211130	Motor Base-X-MT1	
11	80023601	20-3M-15-Xdm Pulley	
12	3011211101	X Driving Frame-MT1-X-A	
13	3011211303	Drivn Shaft-MT-X-Middle	
14	80023602	20-3M-15-12 Pulley	
15	80030831	Needle Roller Bearing	
16	80030862	8-14-1 Nylon Washer	
17	03100110	Limit Mounting Bracket	
18	03150820	Sensor Board-Limit Position	
19	3011211302	Support Shaft-MT-X-Middle	
20	80030822	Ball Bearing 19-8-6	
21	3011211197	Synchronous Belt-MT1-X	

No.	Serial No.	Part name	Remark
22	03100106CA	Passive Pulley Shaft-X	
23	03100105BA	Driven Wheel Support-X	
24	03100107	Belt Tension Bracket-X	
25	03100117	Driving Cover X	
26	03100118BA	Driving Cover Support	
27	80746408	Screw M4*8	
28	80746406	Screw M4*6	
29	80810435	Cylinder Head Hexagon - Black M4X35	
30	80746512	M5X12 Screw	
31	80746408	Screw M4*8	
32	80746508	M5X8 Screw	
33	80742305	Flanged Semi-Circular Cross-M3X5	
34	80810306	M3X6 Cylinder Head Hexagon - Black	
35	80880506	M5*6 Hexagon Socket Set Screw	
36	80900513	M5 Spring Cushion-Black	
37	80810508	Cylinder Head Hexagon - Black M5X8	
38	80900313	M3 Spring Washer- Black	
39	80810308	M3X 8 Cylinder Head Hexagon - Black	
40	80860408	M4X8 Screw	
41	80900301	M3 Plain Washer	
42	80810312	M3X12 Cylinder Head Hexagon - Black	

14.X Axis Drive-MT2

11140V3



14.X Axis Drive-MT2

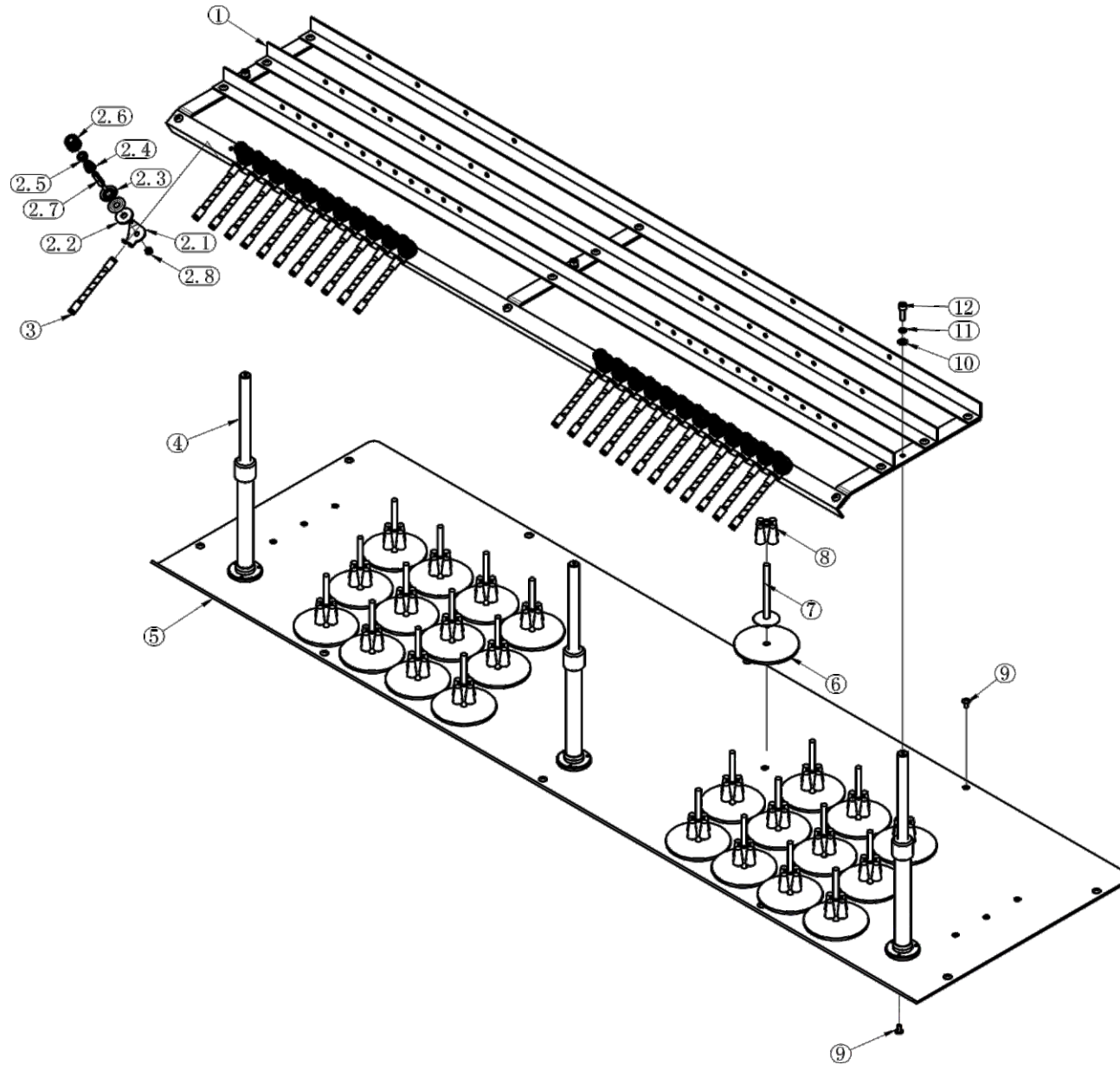
11140V3

No.	Serial No.	Part name	Remark
1	3011211202	Housing-Driving Frame-MT2-X	
2	03100112	Light Barrier-Stopper-X	
3	03100108	Belt Tension Platen	
4	03100104	Connection Pressing Platen	
5	3011211203	Drive Connecting Board X-MT-2T	
6	8001511300	Guide Rail BRH15-1300	
7	03100121	X Direction Motor Cover	
8	03100123	Motor Cover Support- R	
9	03100122	Motor Cover Support- L	
10	80306001	Motor DT-X 60BYG350	
11	3011211201	X Driving Frame-MT2-X-A	
12	03100117	Driving Cover X	
13	03100107	Belt Tension Bracket-X	
14	03100105BA	Driven Wheel Support-X	
15	80030831	Needle Roller Bearing	
16	80023602	20-3M-15-12 Pulley	
17	03100106CA	Passive Pulley Shaft-X	
18	3011211297	Synchronous Belt-MT1-X	
19	03100110	Limit Mounting Bracket	
20	03150820	Sensor Board-Limit Position	

No.	Serial No.	Part name	Remark
21	80023601	20-3M-15-Xdm Pulley	
22	03100118BA	Driving Cover Support	
23	80880506	M5*6 Hexagon Socket Set Screw	
24	80742305	Flanged Semi-Circular Cross-M3X5	
25	80810306	M3X6 Cylinder Head Hexagon - Black	
26	80746508	M5X8 Screw	
27	80900428	M4 Nut	
28	80746408	Screw M4*8	
29	80746512	M5X12 Screw	
30	80900401	M4 Plain Washer	
31	80900413	M4 Spring Washer - Black	
32	80740401	Screw M4*6-Small Head	
33	80810412	M4X12 Cylinder Head Hexagon - Black	
34	80900313	M3 Spring Washer- Black	
35	80810308	M3X 8 Cylinder Head Hexagon - Black	
36	80860408	M4X8 Screw	
37	80900301	M3 Plain Washer	
38	80810310	M3X10 Cylinder Head Hexagon - Black	
39	80746406	Screw M4*6	

15. Spool Plate and Thread Stand-MT

11150V3



15.Spool Plate and Thread Stand-MT

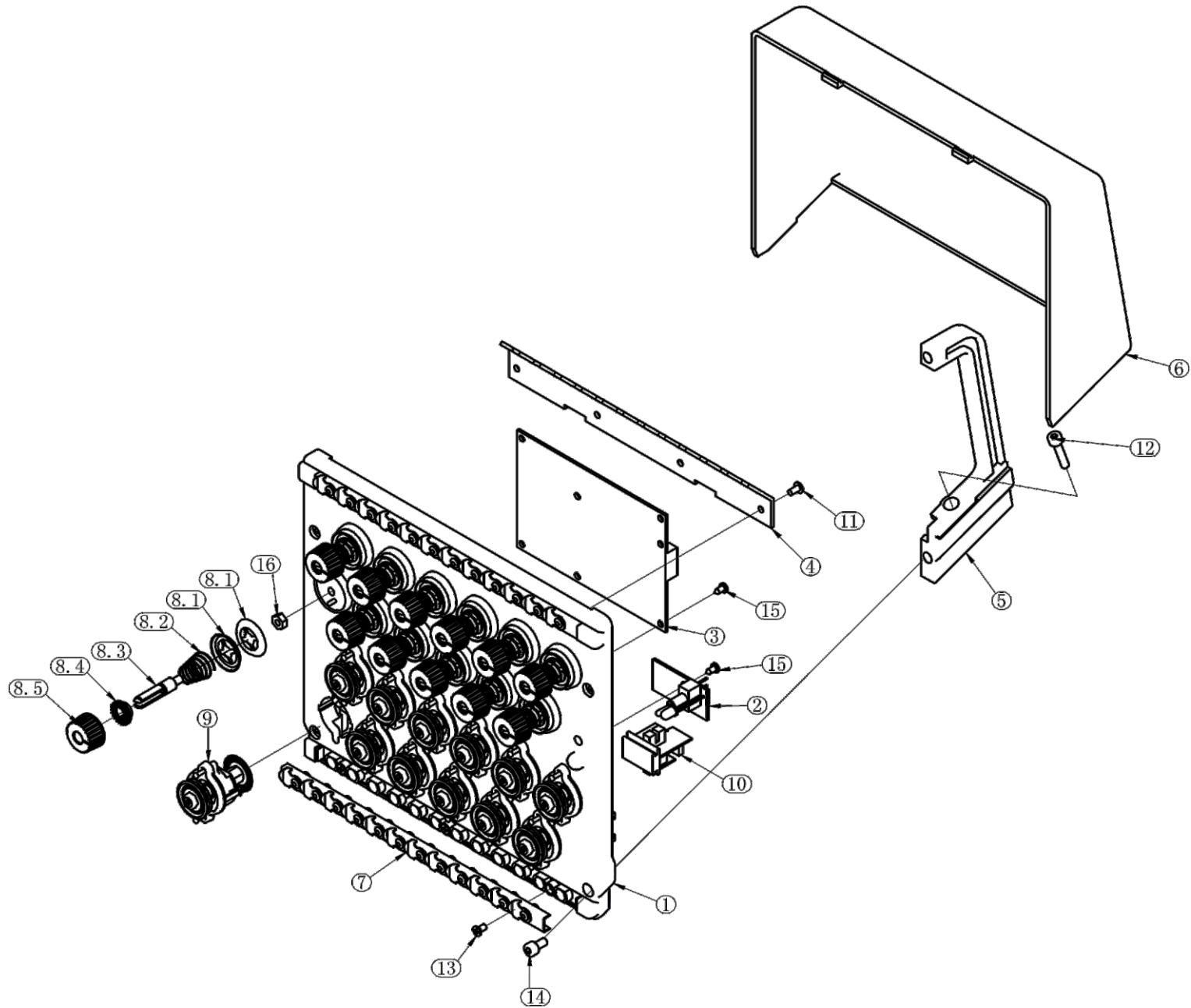
11150V3

No.	Serial No.	Part name	Remark
1	3011101161	Thread Stand-MT2-12N	
1	3011101162	Thread Stand-MT1-15N	
1	3011101163	Thread Stand-MT2-20N	
1	3011101171	Thread Stand-MT2-12N	
1	3011101172	Thread Stand-MT1-15N	
1	3011101173	Thread Stand-MT2-20N	
2	03144260VA	Wire Clipping Adjusting Knob-425C	
2.1	03141001	Thread Guide Plate-Wheel	
2.2	80211104	Felt Gasket	
2.3	03144202	Thread Pressing Plate-Wheel	
2.4	03144209	Tension Spring-Wheel	
2.5	03044155	Locking Washer	
2.6	03144207	Tension Knob-Wheel	
2.7	03144208	Knob Pole-Wheel	
2.8	80900428	M4 Nut	
3	03044360	Threading Pip	

No.	Serial No.	Part name	Remark
4	03044152VA	Lifting Stand - Aluminum Alloy	
4	03044152VA	Lifting Stand - Aluminum Alloy	
5	3011101102	Thread Plate-MT-2T-12	
5	3011101112	Thread Plate-MT-2T-15	
5	3011101113	Thread Plate-MT-2T-20	
5	3011101101	Thread Plate-MT-1T-12	
5	3011101111	Thread Plate-MT-1T-15	
5	3011101103	Thread Plate-MT-1T-20	
6	80211009	Foam Cushion	
7	80211007	Thread Spool Pole	
8	80211008	Plastic Cushion B5	
9	80746408	Screw M4*8	
10	80900501	M5 Plain Washer	
11	80900518	M5 Spring Washer	
12	80813516	M5X16 Screw	

16.Thread Tension Base

11161V3



16.Thread Tension Base

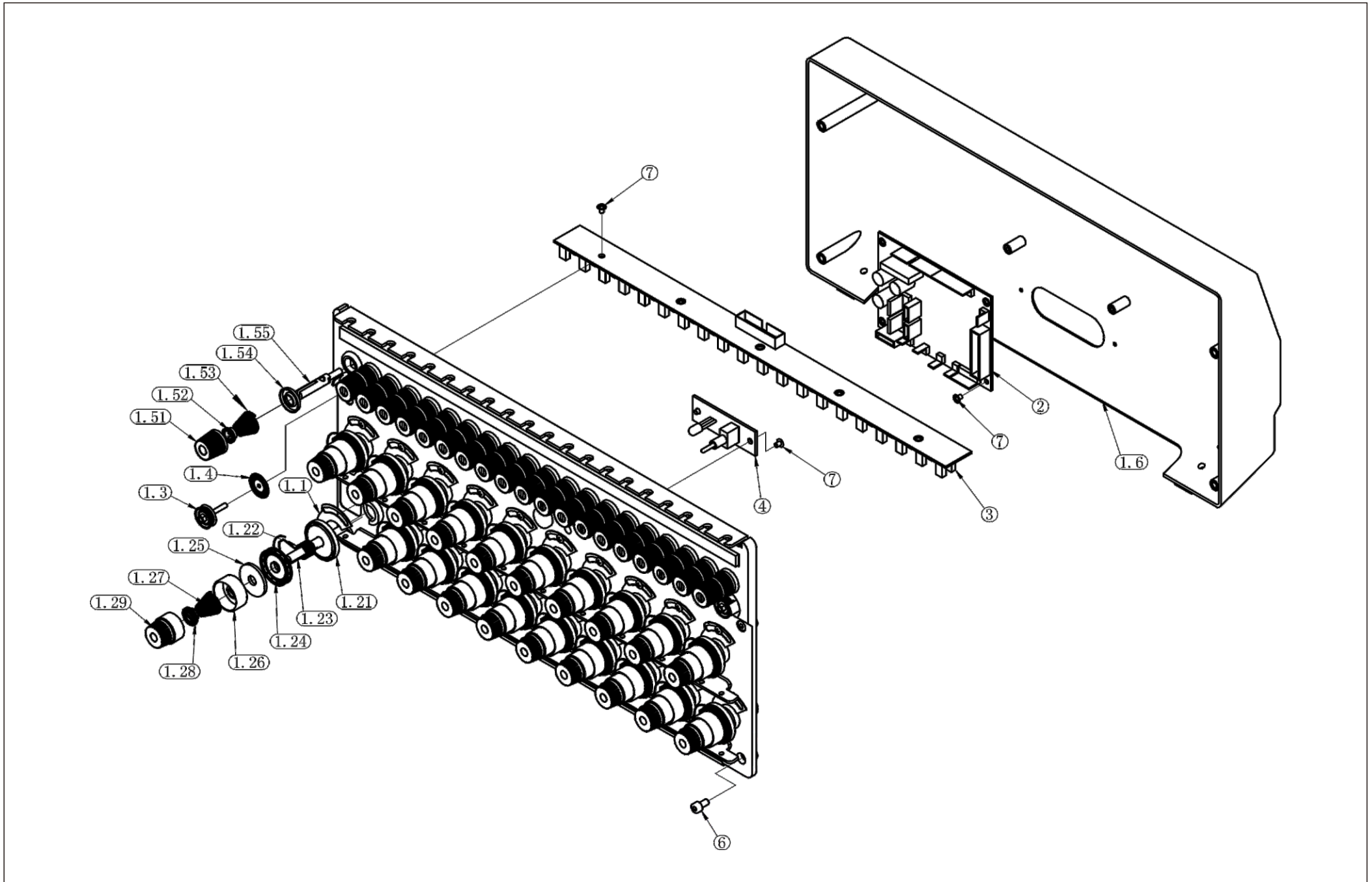
11161V3

No.	Serial No.	Part name	Remark
1	03144291XZ	Upper Thread Tension Base-Wheel Only-12 Needles	
2	03144391XZ	Upper Thread Tension Base-Wheel Only-15 Needles	
3	03150802MT	Head Indicator Board	
4	03151601	Thread Break Detection Board-Solenoid	
4	03144210	Thread Guide Support Plate-12	
5	03144310	Thread Guide Support Plate-15	
5	03144214	Bracket Left-Thread Tension Base	
6	03144215	Bracket Right-Thread Tension Base	
6	03144212	Thread Tension Base Rear Cover-12	
7	03144312	Thread Tension Base Rear Cover-15	
7	03144253	Thread Course Strip Module-12	
8	03144353	Thread Course Strip Module-15	
8.1	03144254	Adjusting Knob Module– Thread Tensioner	

No.	Serial No.	Part name	Remark
8.2	03144202	Thread Pressing Plate-Wheel	
8.3	03144224	Tension Spring	
8.4	03144208	Knob Pole-Wheel	
8.5	03144226	Lock Washer-Wheel	
9	03144252	Thread Course Wheel Module-Bearing	
10	03150801	Sensor Board-Detecting Thread Break	
11	80746304	Screw M3*4	
12	80810420	M4X20 Cylinder Head Hexagon - Black	
13	80860326	M3*6 Flat Head Philips Screw	
14	80810408	M4X8 Screw	
15	80700308	Screw-St2.9*8	
16	80900428	M4 Nut	

16.Thread Tension Base

11162V3



16.Thread Tension Base

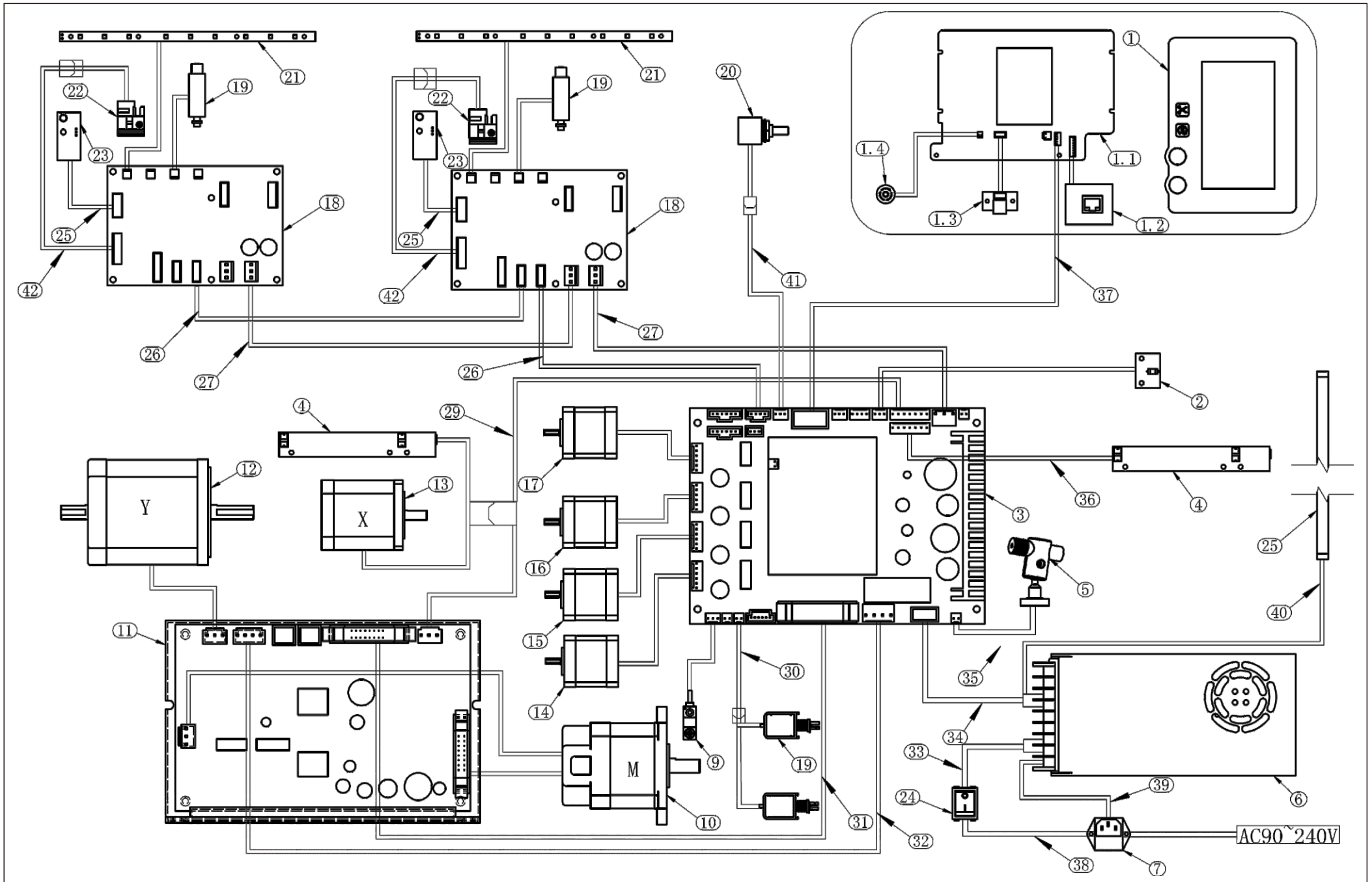
11162V3

No.	Serial No.	Part name	Remark
1	72216020	Thread-Tension Base-Wheel+Spring-20	
1.1	72210201	Take-Up Thread Spring Copper	
1.21	72210302	Ring	
1.22	72210301	Take-Up Thread Spring	
1.23	72210303	Thread Clamp Bolt-DY	
1.24	72210305	Winding Wheel	
1.25	72210304	Cotton Pad	
1.26	72210306	Spring Seat	
1.27	72210307	Spring	
1.28	72210308	Locking Washer	
1.29	72210309	Tension Knob	
1.3	72210401	Winding Wheel-DY	

No.	Serial No.	Part name	Remark
1.4	72210501	Chop Light Wheel	
1.51	72210705	Tightening Knob - Small Knob-DY	
1.52	72210704	Lock Washer - Small Knob-DY	
1.53	72210703	Small Spring	
1.54	72210702	Pressing Sheet	
1.55	72210701	Thread Clamp Bolt-DY	
1.6	72210620	Thread Tension Base Rear Cover-20-Wheel + Spring	
2	03151603	Head Board-20N	
3	03151611	Thread Break Detection Board-20N	
4	03150802VA	Arm Indicator Lighting Board-LED-P	
5	80742306	M3X6 Screw	

17.Electronic Components-7S

11170V3



17.Electronic Components-7S

11170V3

No.	Serial No.	Part name	Remark
1	03151562MT	Control Panel Module-Horizontal-MT	
1.1	03150227	Screen Assembly+Keyboard-TZ507	
1.2	03150601RT	Network Interface Board-RT7P	
1.3	03150206BA	Usb Interface Board-OEM	
1.4	03151515	Emergency Switch-8 Inch	
2	03150810MT	Zero Position Sensor-MT	
3	03150760VA	Multi-function Board+DSP Board	
4	03150820	Sensor Board-Limit Position	
5	05313181	Laser Device	
6	80380641	Switching Power Supply-HF350W-DC-24	
6	80380660	Switching Power Supply-Pdf-600-36	
7	03150602	Power Connection Socket	
8	02010665VB	Picker Solenoid Set-MT	
9	03154454	Micro Proximity Switch-MT1	
9	03154453	Cylinder Proximity Switch NPN-MT2	
10	80310701BC	Main Motor-70Sf3A60	
10	03152160MT1	3-IN-1 Driver - 507/508	
11	03152160MT2	3-IN-1 Driver - 507/508	
12	80308630AP	Stepping Motor-Three Phase-86HS3B103-456	
12	80308670	Stepping Motor-86HS3B135-506	

No.	Serial No.	Part name	Remark
13	80306001	Motor DT-X 60BYG350	
14	80304213	Trimming Motor42BYGH5201-01	
15	80304211	Thread-hooking Stepping Motor 42BYGH4408-12	
16	80304213	Trimming Motor42BYGH5201-01	
16	80305761	Hooking Motor 57BYGH80D10-15	
17	80304253	Stepping Motor-42H53-1206B-MTJ-01	
18	03151601	Thread Break Detection Board-Solenoid	
19	80320211	Jumping Electromagnet	
20	03150833	Multi-Turn Potentiometer	
21	03090512	Alarm Sensor Board-LED-12-P	
21	03090515	Alarm Sensor Board-LED-15-P	
21	03090520	Light Plate-LED-20N	
22	03150801	Sensor Board-Detecting Thread Break	
23	03154339MT	Signal Cable - Thread Break Detection Sensor to Head Board	
24	03150603	Power Switch	
25	80240105	LED Fluorescent Lamp T5-4W	
26	03154345MT	0	
27	03154346MT	Signal Cable-Multifunction Board to 3-in-1 Driver	
28	03154423	Signal Cable-Head Board to Alarm board	
29	03154451	Signal Cable-X Axis Motor-MT1	

17.Electronic Components-7S

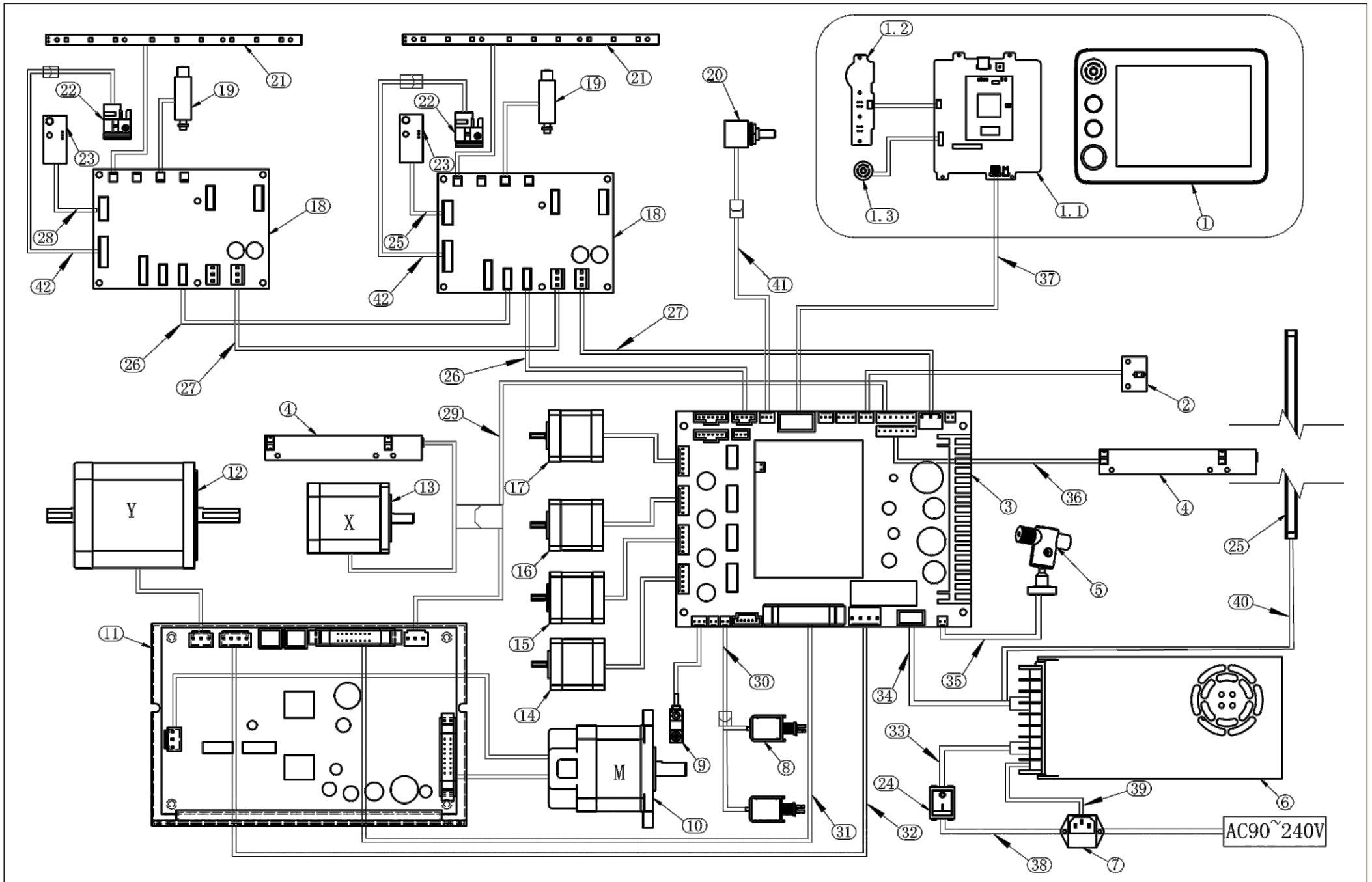
11170V3

No.	Serial No.	Part name	Remark
29	03154452	Signal Cable-X Axis Motor-MT2	
30	03154414MT	Power Cable-Picker Solenoid-MT2	
30	03154415MT	Power Cable-Picker Solenoid-MT1	
31	03154346PT	Signal Cable-Multi-Function Board To 3-In-1 Driver	
32	03154346MT	Signal Cable-Multifunction Board to 3-in-1 Driver	
32	03154345PT	Power Cable-Multi-Function Board To 3-In-1 Driver	
32	03154345MT	Power Cable-Multi-Function Board To 3-In-1 Driver	
33	03154412MT	Switching Power Supply-Switch Power Cable	
34	03154344PT	Power Cable-Switch Power To Multi-Function Board	

No.	Serial No.	Part name	Remark
35	03154341MT	Power Cable-Laser Device To Multi-Function Board	
36	03154342PT	Signal Cable-Y Axis Limit Sensor To Multi-Function Board	
37	03154336PT	Power Cable + Signal Cable-7 Inch Control Panel To Multi-Function Board	
38	03154411MT	Plug-Switching Power Supply Power Wire	
39	03154413MT	Plug-Switching Power Supply Ground Wire	
40	03154425MT	0	
40	03154426MT	Switching Power Supply-T5LED Power Cable-MT2	
41	03154338PT	Signal Cable-Potentiometer To Multi-Function Board	
42	03154339MT	Signal Cable - Thread Break Detection Sensor to Head Board	

18. Electronic Components-8S

11180V3



18.Electronic Components-8S

11180V3

No.	Serial No.	Part name	Remark
1	03151568MT	Control Panel-P8-MT	
1.1	03150218	DSP-Mainboard-508-T1788	
1.2	03151516	Button Plate-8 Inch	
1.3	03151515	Emergency Switch-8 Inch	
2	03150810MT	Zero Position Sensor-MT	
3	03150760VA	Multi-function Board+DSP Board	
4	03150820	Sensor Board-Limit Position	
5	05313181	Laser Device	
6	80380641	Switching Power Supply-HF350W-DC-24	
6	80380660	Switching Power Supply-Pdf-600-36	
7	03150602	Power Connection Socket	
8	02010665VB	Picker Solenoid Set-MT	
9	03154454	Micro Proximity Switch-MT1	
9	03154453	Cylinder Proximity Switch NPN-MT2	
10	80310701BC	Main Motor-70Sf3A60	
11	03152160MT1	3-IN-1 Driver - 507/508	
11	03152160MT2	3-IN-1 Driver - 507/508	
12	80308630AP	Stepping Motor-Three Phase-86HS3B103-456	
12	80308670	Stepping Motor-86HS3B135-506	
13	80306001	Motor DT-X 60BYG350	

No.	Serial No.	Part name	Remark
14	80304213	Trimming Motor42BYGH5201-01	
15	80304211	Thread-hooking Stepping Motor 42BYGH4408-12	
16	80304213	Trimming Motor42BYGH5201-01	
16	80305761	Hooking Motor 57BYGH80D10-15	
17	80304253	Stepping Motor-42H53-1206B-MTJ-01	
18	03151601	Thread Break Detection Board-Solenoid	
19	80320211	Jumping Electromagnet	
20	03150833	Multi-Turn Potentiometer	
21	03090512	Alarm Sensor Board-LED-12-P	
21	03090515	Alarm Sensor Board-LED-15-P	
21	03090520	Light Plate-LED-20N	
22	03150801	Sensor Board-Detecting Thread Break	
23	03154339MT	Signal Cable - Thread Break Detection Sensor to Head Board	
24	03150603	Power Switch	
25	80240105	LED Fluorescent Lamp T5-4W	
26	03154345MT	Power Cable-Multi-Function Board To 3-In-1 Driver	
27	03154346MT	Signal Cable-Multifunction Board to 3-in-1 Driver	
28	03154423	Signal Cable-Head Board to Alarm board	
29	03154451	Signal Cable-X Axis Motor-MT1	
29	03154452	Signal Cable-X Axis Motor-MT2	

18.Electronic Components-8S

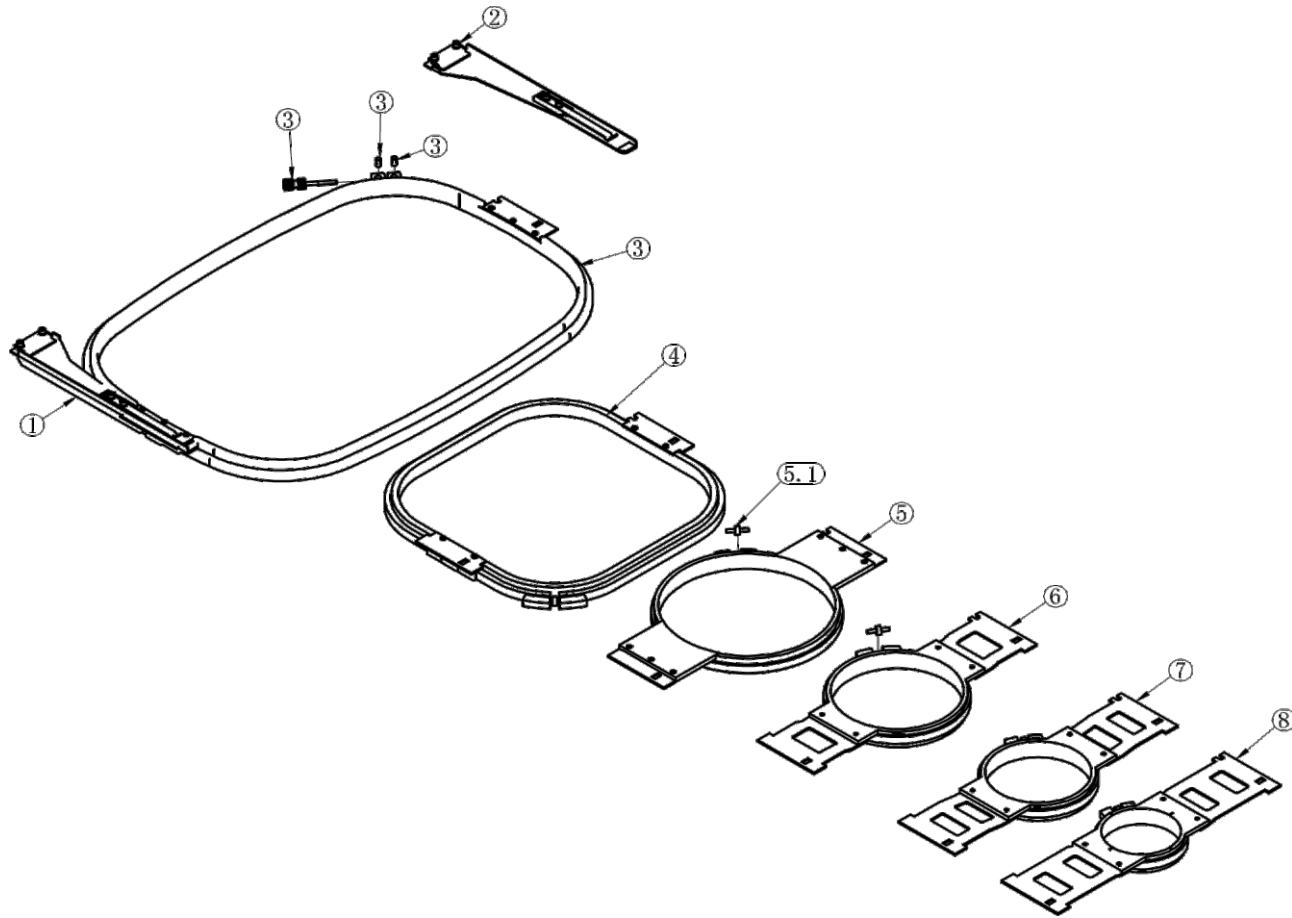
11180V3

No.	Serial No.	Part name	Remark
30	03154414MT	Power Cable-Picker Solenoid-MT2	
30	03154415MT	Power Cable-Picker Solenoid-MT1	
31	03154346PT	Signal Cable-Multi-Function Board To 3-In-1 Driver	
31	03154346MT	Signal Cable-Multifunction Board to 3-in-1 Driver	
32	03154345PT	Power Cable-Multi-Function Board To 3-In-1 Driver	
32	03154345MT	Power Cable-Multi-Function Board To 3-In-1 Driver	
33	03154412MT	Switching Power Supply-Switch Power Cable	
34	03154344PT	Power Cable-Switch Power To Multi-Function Board	
35	03154341MT	Power Cable-Laser Device To Multi-Function Board	

No.	Serial No.	Part name	Remark
36	03154342PT	Signal Cable-Y Axis Limit Sensor To Multi-Function Board	
37	03154337PT	Power Cable + Signal Cable-8 Inch Control Panel To Multi-Function Board	
38	03154411MT	Plug-Switching Power Supply Power Wire	
39	03154413MT	Plug-Switching Power Supply Ground Wire	
40	03154425MT	0	
40	03154426MT	Switching Power Supply-T5LED Power Cable-MT2	
41	03154338PT	Signal Cable-Potentiometer To Multi-Function Board	
42	03154339MT	Signal Cable - Thread Break Detection Sensor to Head Board	

19. Frames and Bracket

11190V3



19. Frames and Bracket

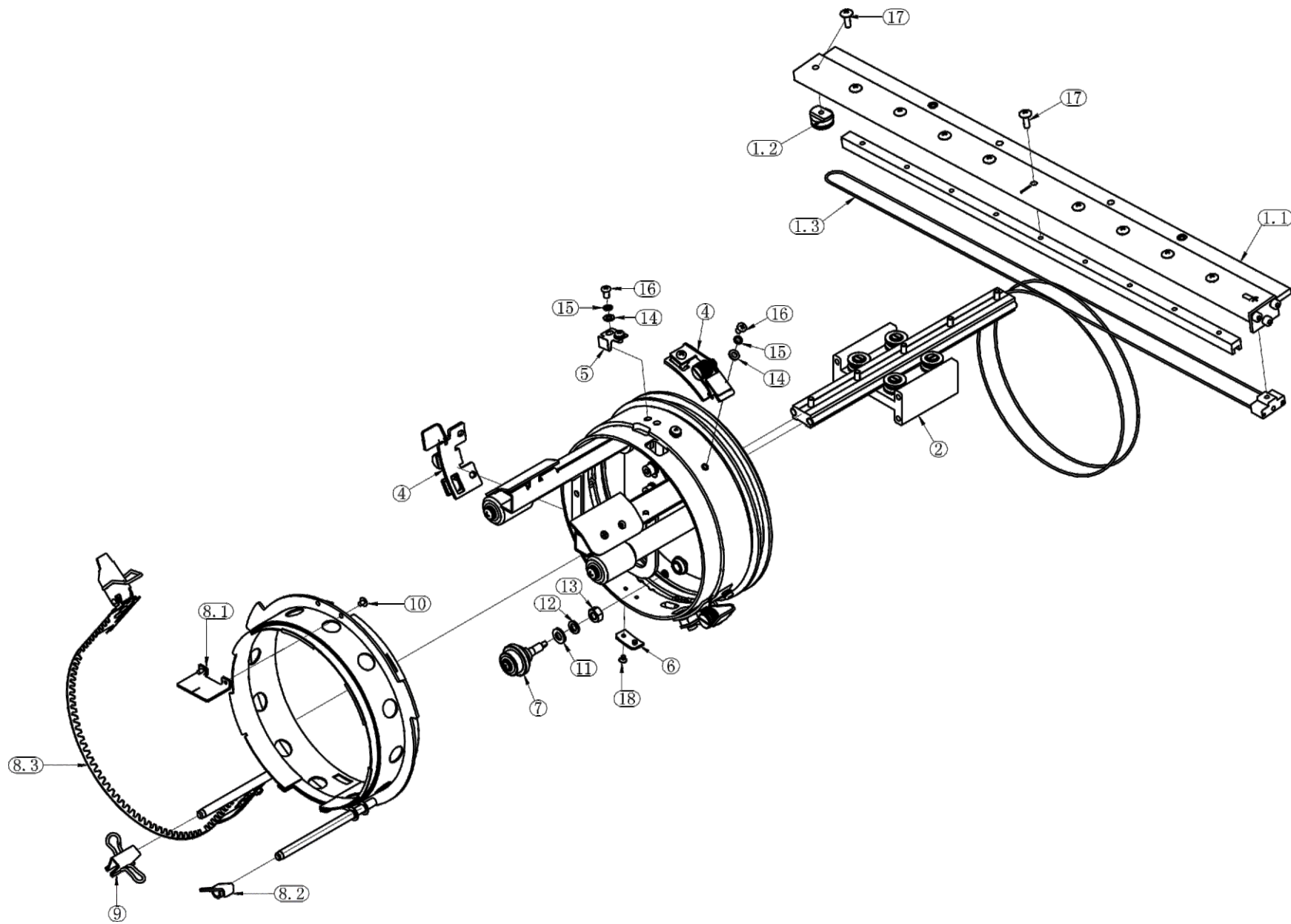
11190V3

No.	Serial No.	Part name	Remark
1	03100292	Frame Support Module-L	
2	03100291	Frame Bracket Module-R	
3	03173691	Square Frame-540*360	
3.1	03173630	Tighten Screw Module	
4	03173181	Square Frame-290*290	
4	02540681CB	Hoop CA-290	
5	03172681	Round Frame-200	
5	02540581CB	Hoop CA-190	

No.	Serial No.	Part name	Remark
5.1	03171102	Frame Tighten Screw	
6	03172181	Round Frame-150	
6	02540481CB	Hoop CA-150	
7	03171681	Round Frame-120	
7	02540381CB	Hoop CA-120	
8	03171181	Round Frame-90	
8	02540281CB	Hoop CA-90	
9	80813581	M5*14 Hexagon Socket Caphead Screw	

20.Cap Driver-MT

11200V3



20.Cap Driver-MT

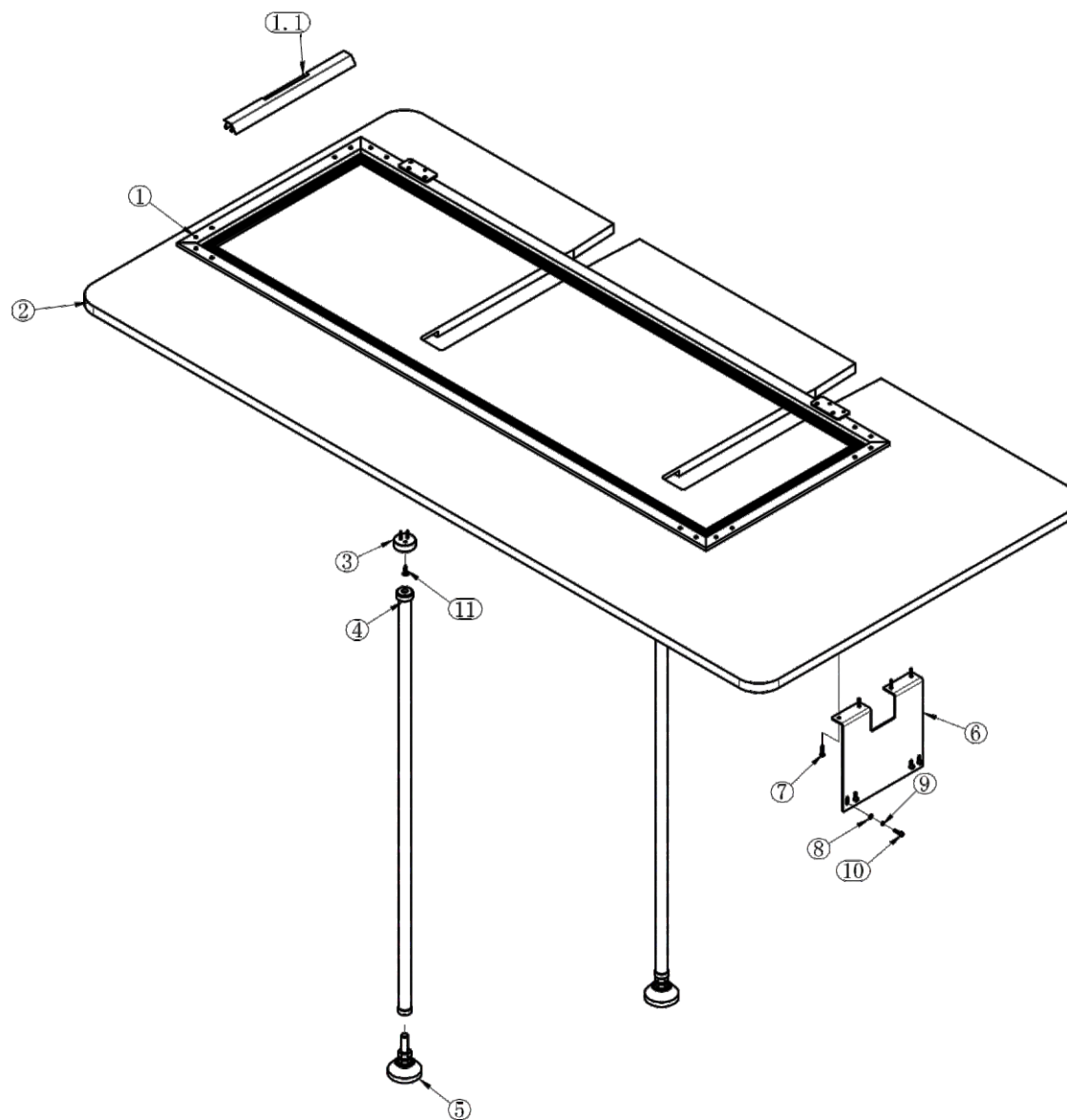
11200V3

No.	Serial No.	Part name	Remark
0	02818003	Cap Driver Assembly-TC/PT	
1	02815042	Hat Rack Drive Junction Plate Kit-P-MT	
1.1	02815010	Drive Frame-PT	
1.2	02815008	Steel Wire Wheel	
1.3	02815052	Hat Rack Steel Wire Kit-P-MT	
2	02815039	Linear Guide Rail Set Rkm-220-L	
3	02810271	Clamp Head Components B	
4	02810270	Clamp Head Components A	
5	02810205	Hat Rack Spacing Shrapnel	
6	02810204	Positioning Block	
7	02810161	Eccentric Wheel Components	
8	02811080	Cap Ring Kit -360	
8.1	02811006	Positioning Block	

No.	Serial No.	Part name	Remark
8.2	02811019	Tapered End Hook	
8.3	02811082	Cap Strapping Rod Components	
9	02811055	Clamp - Cap Ring	
10	80746304	Screw M3*4	
11	80900601	M6 Plain Washer	
12	80900613	M6 Spring Washer - Black	
13	80900628	Nut M6 - Stainless Steel	
14	80900401	M4 Plain Washer	
15	80900413	M4 Spring Washer - Black	
16	80740401	Screw M4*6-Small Head	
17	80746412	Screw M4*12	
18	80860304	M3*4 Flat Head Philips Screw	

21.Flat Embroidery Table

11210V3



21.Flat Embroidery Table

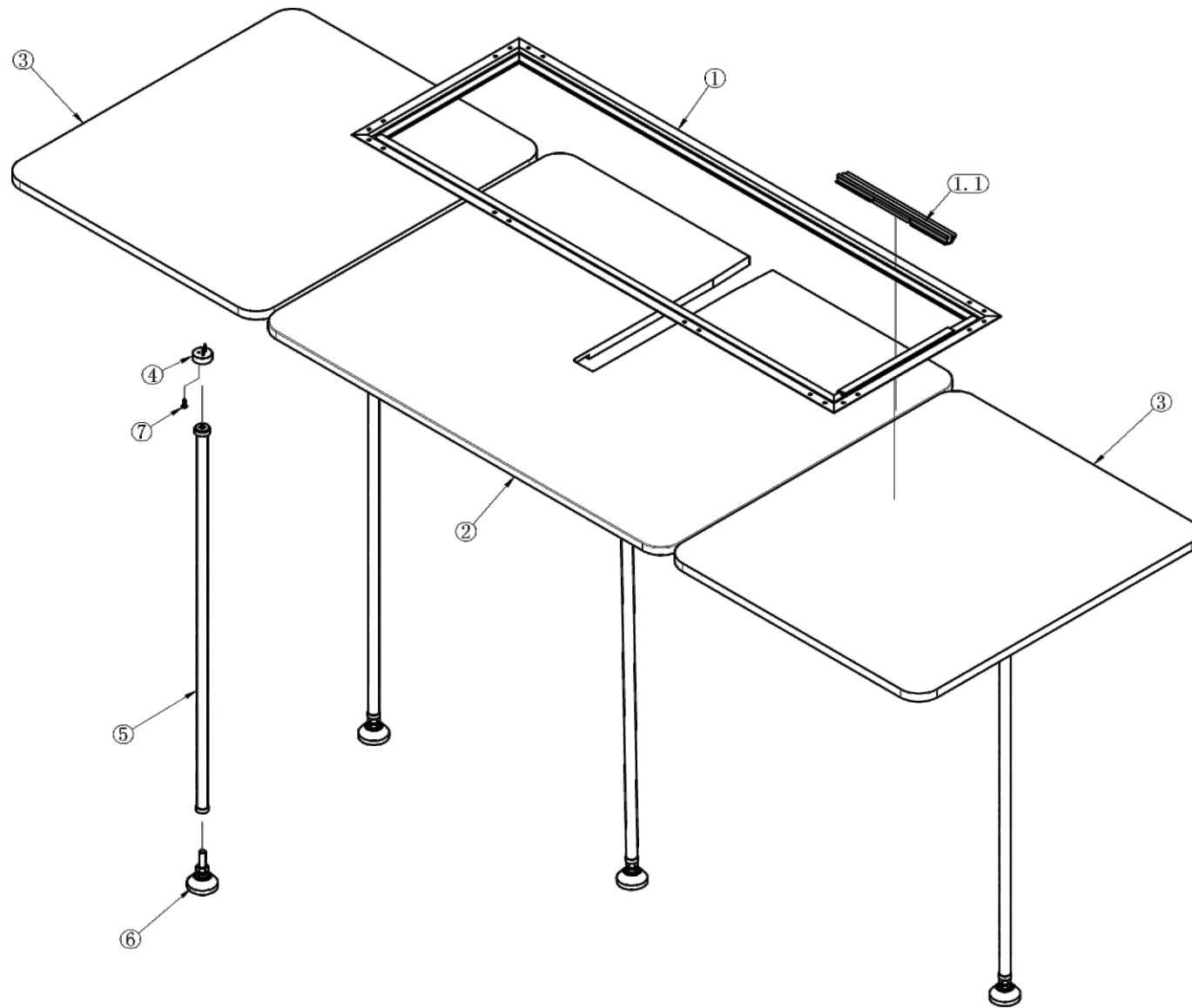
11210V3

No.	Serial No.	Part name	Remark
1	3011311060	Flat Sash Frame-MT2214	
1	03175180	Aluminum Frame-EW2214	
1.1	01505102	Feed Collet -220	
1.1	01505101	Feed Collet-300	
2	3011311002	Flat Table-MT2	
2	3011311001	Flat Table-MT1	
3	03010313	Table Suport Megnet Base	
4	03010325	Support Pillar	

No.	Serial No.	Part name	Remark
5	80270831	Support Feet-Nylon-Φ50-M12*50	
6	3011311011	Table Support A-MT	
7	80700103	M3.5X20 Cross Of Tapping Screws-Black	
8	80900401	M4 Plain Washer	
9	80900413	M4 Spring Washer - Black	
10	80810416	M4*16 Hexagon Socket Caphead Screw	
11	80746512	M5X12 Screw	

22.Extension Table MT-4814-1

11220V3



22.Extension Table MT-4814-1

11220V3

No.	Serial No.	Part name	Remark
1	03175260	Aluminum Frame-EW4814	
1.1	01505102	Feed Collet -220	
1.1	01505101	Feed Collet-300	
2	3011311001	Flat Table-MT1	
3	3011311005	Side Table-MT1-4814	

No.	Serial No.	Part name	Remark
4	03010313	Table Suport Megnet Base	
5	03010325	Support Pillar	
6	80270831	Support Feet-Nylon-Φ50-M12*50	
7	80700103	M3.5X20 Cross Of Tapping Screws-Black	



Copyright © RiCOMA (Shenzhen) Co., Ltd. All rights reserved.